

KMD

Engineered to last.

Catalog of innovative,
high-quality, precise products.

FUEL



HYDRAULIC



PRODUCT CATALOG

2025/6

Comprehensive catalog showcasing innovative,
high-quality tanks tailored for diverse customer needs.

+908508852883
www.kmd.com.tr



ABOUT US



KMD designs and manufactures high-performance fuel and hydraulic tanks, trusted by industries worldwide since 1980 — engineered for durability, delivered with precision.

Established in 1980, KMD is a leading manufacturer of aluminum, galvanized, and stainless steel fuel & hydraulic tanks for trucks, trailers, generators, and industrial systems.

Operating from our modern facility in Kartepe, Türkiye, we combine decades of experience with advanced production technologies to deliver high-quality, reliable, and customized tank solutions. With ISO 9001-certified processes and a strong R&D focus, KMD serves OEMs and aftermarket clients across Europe and the Middle East — always on time, always trusted.



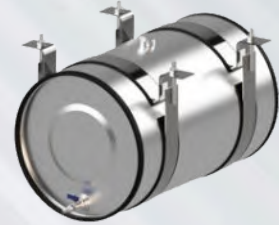
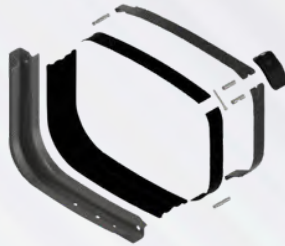
KMD – Built to Perform, Trusted to Last.

**Made in
Turkey** 



Engineered to last.

**TANKS TAILORED
FOR DIVERSE CUSTOMER NEEDS.**



SMART VARIETY

At KMD, we engineer fuel and hydraulic tanks tailored for the diverse needs of our customers — from heavy-duty trucks to industrial systems. With over 40 years of expertise, we deliver precision, durability, and trust in every solution.

**THE BEST WORK FROM US
FOR YOUR TRUCK**

**OUR
PRODUCTS**



620X670



620x670 mm fuel tank, specially designed for MAN and DAF vehicles, is manufactured from high-quality H5754 aluminum with a 2.5 mm thick body, side covers, and internal baffles for enhanced durability and structural integrity.

The tank features original mounting brackets for perfect compatibility and quick installation. Certified with ECE-R34, it meets the highest safety and performance standards required in international markets.



KMD CODE	OE	BRAND	SIZE mm	LITER
A6368107001	81122015490	MAN - DAF	620X670X1070	400
A6368117001	1681824 - 1681840	DAF	620X670X1170	410
A6368143001	81122016431	MAN	620X670X1430	600
A6368200001	81122012090 - 1673119	MAN - DAF	620X670X200	750
A6368214001	81122015671	MAN	620X670X2140	800
A63689233001	1685565 - 1681830	DAF	620X670Z2330	870

700X700



700x700 mm fuel tank, specially designed for MAN and DAF vehicles, is manufactured from high-quality H5754 aluminum with a 2.5 mm thick body, side covers, and internal baffles for enhanced durability and structural integrity.

The tank features original mounting brackets for perfect compatibility and quick installation. Certified with ECE-R34, it meets the highest safety and performance standards required in international markets.



KMD CODE	OE	BRAND	SIZE mm	LITER
A7070106001	81122015658	MAN	700X700X1060	450
A7070136001	81122015662 - 1681828	DAF - MAN	700X700X1360	580
A7070143001	1944806	DAF	700X700X1430	605
A7070167601	1949974	DAF	700X700X1676	725
A7070188001	1786616 - 1949915	DAF	700X700X1880	820
A7070224001	1673122 - 1949917	DAF	700700X2240	1000

510X670



560X670 mm fuel tank, specially designed for DAF vehicles, is manufactured from high-quality H5754 aluminum with a 2.5 mm thick body, side covers, and internal baffles for enhanced durability and structural integrity.

The tank features original mounting brackets for perfect compatibility and quick installation. Certified with ECE-R34, it meets the highest safety and performance standards required in international markets.



KMD CODE	OE	BRAND	SIZE mm	LITER
A5167115001	1681816 - 1437728	DAF	510X670X1150	340
A5167154601	1681817 - 1391694	DAF	510X670X1546	450
A5167163001		DAF	510X670X1630	500
A5167200001	1681818	DAF	510X670X2000	600
A5167210001		DAF	510X670X2100	650
A5167231001	1691396	DAF	510X670X2310	685

580X670



580X670 mm fuel tank, specially designed for DAF vehicles, is manufactured from high-quality H5754 aluminum with a 2.5 mm thick body, side covers, and internal baffles for enhanced durability and structural integrity.

The tank features original mounting brackets for perfect compatibility and quick installation. Certified with ECE-R34, it meets the highest safety and performance standards required in international markets.



KMD CODE	OE	BRAND	SIZE mm	LITER
A5867093601	1949894	DAF	580X670X936	320
A5867118001	1949896 - 1733902	DAF	580X670X1180	400
A5867152001		DAF	580X670X1520	450
A5167185001		DAF	580X670X1850	500
A5867199501	1949900	DAF	580X670X1995	525
A5867232001	194990 - 1733904	DAF	580X670X2320	560

710X690



710X690 mm fuel tank, specially designed for VOLVO and RENAULT vehicles, is manufactured from high-quality H5754 aluminum with a 2.5 mm thick body, side covers, and internal baffles for enhanced durability and structural integrity.

The tank features original mounting brackets for perfect compatibility and quick installation. Certified with ECE-R34, it meets the highest safety and performance standards required in international markets.



KMD CODE	OE	BRAND	SIZE mm	LITER
A7169083001	20503504 - 21968574	VOLVO - REN.	710X690X830	330
A7169103001	21516447 - 7421516447	VOLVO - REN.	710X690X1030	405
A5867152001	20503507 - 7421655309	VOLVO - REN.	710X690X1230	490
A7169143001	20503509 - 7421177647	VOLVO - REN.	690X710X1430	570
A7169163001	20503511 - 7421516455	VOLVO - REN.	710X690X1630	650
A7169183001	21516457 - 20503516	VOLVO - REN.	710X690X1830	73

560X680

560x680 mm fuel tank, specially designed for VOLVO and RENAULT vehicles, is manufactured from high-quality H5754 aluminum with a 2.5 mm thick body, side covers, and internal baffles for enhanced durability and structural integrity.

The tank features original mounting brackets for perfect compatibility and quick installation. Certified with ECE-R34, it meets the highest safety and performance standards required in international markets.



KMD CODE	OE	BRAND	SIZE mm	LITER
A5668083001	20452160 - 21516469	VOLVO - REN.	560X680X830	255
A5668113001	21516471 - 7421516471	VOLVO - REN.	560X680X1130	350
A5668123001	21516472 - 7420722417	VOLVO - REN.	560X680X1230	380
A5668143001	21516477 - 20504492	VOLVO - REN.	560X680X1430	445
A5668163001	20429201 - 21516480	VOLVO - REN.	560x680X1630	505
A5668203001	20504495	VOLVO - REN.	560x680X2030	630

700X700



700x700 mm fuel tank, specially designed for MERCEDES and FORD vehicles, is manufactured from high-quality H5754 aluminum with a 2.5 mm thick body, side covers, and internal baffles for enhanced durability and structural integrity.

The tank features original mounting brackets for perfect compatibility and quick installation. Certified with ECE-R34, it meets the highest safety and performance standards required in international markets.



KMD CODE	OE	BRAND	SIZE mm	LITER
A7171063001	A9344701001	MERCEDES	710X710X630	280
A7171091001	A9344700101 - DC469002DA	MERCEDES	710X710X910	400
A7171123001	A9424701401 - CC469002AA	MERCEDES	710X710X1230	550
A7171150001	A9344700401 - DC469002CB	MERCEDES	710X710X1500	650
A7171175001	A9304700701	MERCEDES	710X710X150	780
A7171225001	A9344701101	MERCEDES	710X710X2250	980

560X640

560x640 mm fuel tank, specially designed for MERCEDES vehicles, is manufactured from high-quality H5754 aluminum with a 2.5 mm thick body, side covers, and internal baffles for enhanced durability and structural integrity.

The tank features original mounting brackets for perfect compatibility and quick installation. Certified with ECE-R34, it meets the highest safety and performance standards required in international markets.



KMD CODE	OE	BRAND	SIZE mm	LITER
A5664072501	A9424700101	MERCEDES	560X640X725	230
A5664094501	A9424700201	MERCEDES	560X640X945	300
A5664125001	A9424700401	MERCEDES	560X640X1250	400
A5664155001	A9424700501	MERCEDES	560X640X1550	500
A5664185001	A9424700601	MERCEDES	560X640X1850	590

700X650



700x650 mm fuel tank, specially designed for MERCEDES vehicles, is manufactured from high-quality H5754 aluminum with a 2.5 mm thick body, side covers, and internal baffles for enhanced durability and structural integrity.

The tank features original mounting brackets for perfect compatibility and quick installation. Certified with ECE-R34, it meets the highest safety and performance standards required in international markets.



KMD CODE	OE	BRAND	SIZE mm	LITER
A7065072001	A9604703103	MERCEDES	700X650X720	290
A7065085001	A9604705502	MERCEDES	700X650X850	320
A7065100001	A9604705602	MERCEDES	700X650X1000	380
A7065110001	A9604705702	MERCEDES	700X650X1100	420
A7065145001	A9604705902	MERCEDES	700X650X1450	550
A7065160001	A9604706002	MERCEDES	700X650X1600	600

550X640



550x640 mm fuel tank, specially designed for MERCEDES vehicles, is manufactured from high-quality H5754 aluminum with a 2.5 mm thick body, side covers, and internal baffles for enhanced durability and structural integrity.

The tank features original mounting brackets for perfect compatibility and quick installation. Certified with ECE-R34, it meets the highest safety and performance standards required in international markets.



KMD CODE	OE	BRAND	SIZE mm	LITER
A5564070001	A9604702003	MERCEDES	550X640X700	260
A5564094501	A9604701103	MERCEDES	550X640X945	290
A5564115001	A9604701303	MERCEDES	550X640X1150	390

630X690



630x690 mm fuel tank, specially designed for IVECO vehicles, is manufactured from high-quality H5754 aluminum with a 2.5 mm thick body, side covers, and internal baffles for enhanced durability and structural integrity.

The tank features original mounting brackets for perfect compatibility and quick installation. Certified with ECE-R34, it meets the highest safety and performance standards required in international markets.



KMD CODE	OE	BRAND	SIZE mm	LITER
A6369077001	98472351 - 41297840	IVECO	630X690X770	300
A6369102001	98472352	IVECO	630X690X1020	400
A6369160001	98472354 - 98472553	IVECO	630X690X1600	600
A6369182001	41042847	IVECO	630X690X1820	700
A6369195001	41042845	IVECO	630X690X1950	760
A6369205001	41042555 - 41036046	IVECO	630X690X2050	800

670X700



670X700 mm fuel tank, specially designed for SCANIA vehicles, is manufactured from high-quality H5754 aluminum with a 2.5 mm thick body, side covers, and internal baffles for enhanced durability and structural integrity.

The tank features original mounting brackets for perfect compatibility and quick installation. Certified with ECE-R34, it meets the highest safety and performance standards required in international markets.



KMD CODE	OE	BRAND	SIZE mm	LITER
A6871073501	1871188	SCANIA	670X700X725	300
A6871101401	1878319	SCANIA	670X700X1014	400
A6871126501	1871190	SCANIA	670X700X1265	500
A6871151501	1871191	SCANIA	670X700X1515	600
A6871166501	1871192	SCANIA	670X700X1665	700

510X710



510X710 mm fuel tank, specially designed for SCANIA vehicles, is manufactured from high-quality H5754 aluminum with a 2.5 mm thick body, side covers, and internal baffles for enhanced durability and structural integrity.

The tank features original mounting brackets for perfect compatibility and quick installation. Certified with ECE-R34, it meets the highest safety and performance standards required in international markets.



KMD CODE	OE	BRAND	SIZE mm	LITER
G5171050501	1871188	SCANIA	510x710x505	150
G5171073501	1878319	SCANIA	510x710x735	200
G5171104001	1871190	SCANIA	510x710x1040	300
G5171151501	1871191	SCANIA	510x710x1515	450

510X610



510X610 mm fuel tank, specially designed for MAN vehicles, is manufactured from high-quality H5754 aluminum with a 2.5 mm thick body, side covers, and internal baffles for enhanced durability and structural integrity.

The tank features original mounting brackets for perfect compatibility and quick installation. Certified with ECE-R34, it meets the highest safety and performance standards required in international markets.



KMD CODE	OE	BRAND	SIZE mm	LITER
G5161080001	81122015816	MAN	510X610X800	230
G5161105001	81122015817	MAN	510X610X1050	300

350X615

350X615 mm fuel tank, specially designed for MAN vehicles, is manufactured from high-quality H5754 aluminum with a 2.5 mm thick body, side covers, and internal baffles for enhanced durability and structural integrity.

The tank features original mounting brackets for perfect compatibility and quick installation. Certified with ECE-R34, it meets the highest safety and performance standards required in international markets.



KMD CODE	OE	BRAND	SIZE mm	LITER
G3561080001	81122015818	MAN	350X615X800	150
G3561105001	81122015819	MAN	350X615X1050	200

490X650



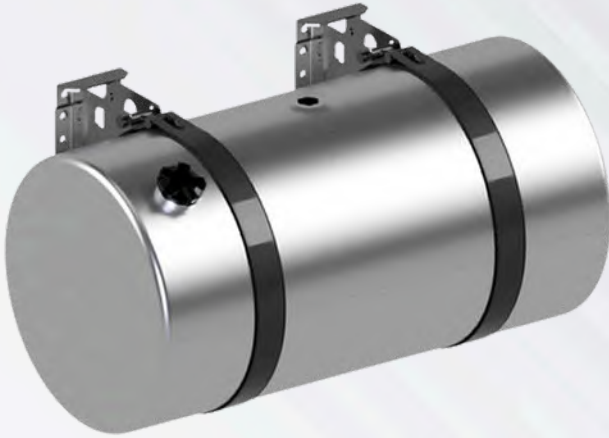
490X650 mm round fuel tank, specially designed for IVECO vehicles, is manufactured from high-quality H5754 aluminum with a 2.5 mm thick body, side covers, and internal baffles for enhanced durability and structural integrity.

The tank features original mounting brackets for perfect compatibility and quick installation. Certified with ECE-R34, it meets the highest safety and performance standards required in international markets.



KMD CODE	OE	BRAND	SIZE mm	LITER
G4965068001	42074079	IVECO	490X650X680	200
G4965100001	41042704 - 42092488	IVECO	490X650X1000	300

R700



R700 mm round fuel tank, specially designed for VOLVO vehicles, is manufactured from high-quality H5754 aluminum with a 2.5 mm thick body, side covers, and internal baffles for enhanced durability and structural integrity.

The tank features original mounting brackets for perfect compatibility and quick installation. Certified with ECE-R34, it meets the highest safety and performance standards required in international markets.



KMD CODE	OE	BRAND	SIZE mm	LITER
A7000055001	8156646	VOLVO	700X550	180
A7000101001	20375376 - 8156647	VOLVO	700X1010	350
A7000139501	20375377 - 8156648	VOLVO	700X1395	500
A7000173501	20375378 - 8156649	VOLVO	700X1735	620
A7000228201	20375390 - 8158897	VOLVO	700X2282	815

720X700



720X700 mm round fuel tank, specially designed for SCANIA vehicles, is manufactured from high-quality H5754 aluminum with a 2.5 mm thick body, side covers, and internal baffles for enhanced durability and structural integrity.

The tank features original mounting brackets for perfect compatibility and quick installation. Certified with ECE-R34, it meets the highest safety and performance standards required in international markets.



KMD CODE	OE	BRAND	SIZE mm	LITER
A7270039001	2710427	SCANIA	720X700X390	155
A7270069001	2710431	SCANIA	720X700X690	285
A7270084001	2849795	SCANIA	720X700X840	355
A7270124001	2849799	SCANIA	720X700X1240	525
A7270144001	2758520	SCANIA	720X700X1440	615

740X690



740X690 mm round fuel tank, specially designed for SCANIA vehicles, is manufactured from high-quality H5754 aluminum with a 2.5 mm thick body, side covers, and internal baffles for enhanced durability and structural integrity.

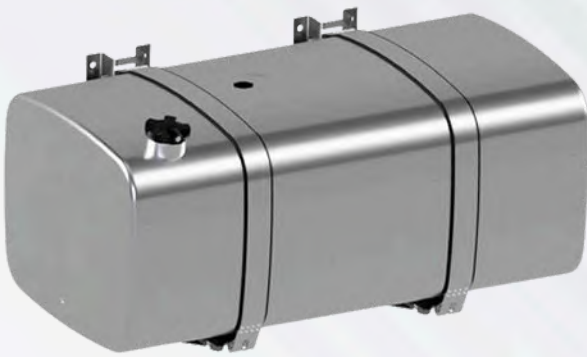
The tank features original mounting brackets for perfect compatibility and quick installation. Certified with ECE-R34, it meets the highest safety and performance standards required in international markets.



KMD CODE	OE	BRAND	SIZE mm	LITER
A7469070501	1888934	SCANIA	743X692X705	320
A7469105501	1888933	SCANIA	743X692X1055	500
A7469138201	1888931	SCANIA	743X692X1382	640
A7469150501	1888929	SCANIA	743X692X1505	700
A7469165501	1888928	SCANIA	743X692X1665	750

580X700

580X700 mm round fuel tank, specially designed for MAN vehicles, is manufactured from high-quality H5754 aluminum with a 2.5 mm thick body, side covers, and internal baffles for enhanced durability and structural integrity.



The tank features original mounting brackets for perfect compatibility and quick installation. Certified with ECE-R34, it meets the highest safety and performance standards required in international markets.



KMD CODE	OE	BRAND	SIZE mm	LITER
A5870090001	81.12201-5655	MAN	700X575X900	330
A5870138001	81.12201-6682	MAN	700X575X1380	480
A5870170001	81.12201-5680	MAN	700X575X1700	600
A5870200001	81.12201-5668	MAN	700X575X2000	700



KMD's stepped and top-platform fuel tanks are expertly engineered using premium-grade aluminum and steel to ensure exceptional strength, corrosion resistance, and longevity. The stepped design enhances vehicle accessibility and ergonomics, while the integrated top platform offers versatile mounting solutions for auxiliary equipment. These tanks comply with stringent industry standards, delivering reliable performance and durability for demanding commercial applications, making KMD the trusted choice for professional fleets worldwide.





510X670



580X670



560X640



510X710



670X700



690X710



620X670



700X700



630X690



700X700



700X650



560X680

580X670



580X670 mm fuel tank, specially designed for trailers, is manufactured from high-quality H5754 aluminum with a 2.5 mm thick body, side covers, and internal baffles for enhanced durability and structural integrity.

The tank features original mounting brackets for perfect compatibility and quick installation. Certified with ECE-R34, it meets the highest safety and performance standards required in international markets.



KMD CODE	COMPATIBLE	BRAND	SIZE mm	LITER
AT5867142001B	UNIVERSAL	KMD	580X670X1420	500
AT5867156001B	UNIVERSAL	KMD	580X670X1560	550
AT5867170001B	UNIVERSAL	KMD	580X670X1700	600
AT5867185001B	UNIVERSAL	KMD	580X670X1850	650
AT5867200001B	UNIVERSAL	KMD	580X670X2000	700

510X670



510X670 mm fuel tank, specially designed for trailers, is manufactured from high-quality H5754 aluminum with a 2.5 mm thick body, side covers, and internal baffles for enhanced durability and structural integrity.

The tank features original mounting brackets for perfect compatibility and quick installation. Certified with ECE-R34, it meets the highest safety and performance standards required in international markets.



KMD CODE	COMPATIBLE	BRAND	SIZE mm	LITER
AT5167163001	UNIVERSAL	KMD	510X670X1630	500
AT5167185001	UNIVERSAL	KMD	510X670X1850	570
AT5167200001	UNIVERSAL	KMD	510X670X2000	630
AT5167210001	UNIVERSAL	KMD	510X670X2100	650

560X640



560X640 mm fuel tank, specially designed for trailers, is manufactured from high-quality H5754 aluminum with a 2.5 mm thick body, side covers, and internal baffles for enhanced durability and structural integrity.

The tank features original mounting brackets for perfect compatibility and quick installation. Certified with ECE-R34, it meets the highest safety and performance standards required in international markets.



KMD CODE	COMPATIBLE	BRAND	SIZE mm	LITER
AT5664125001B	UNIVERSAL	KMD	560X640X1250	400
AT5664148001B	UNIVERSAL	KMD	560X640X1480	470
AT5664160001B	UNIVERSAL	KMD	560X640X1600	520
AT5664167001B	UNIVERSAL	KMD	560X640X1670	550

R600



R600 mm round fuel tank, specially designed for trailers, is manufactured from high-quality H5754 aluminum with a 2.5 mm thick body, side covers, and internal baffles for enhanced durability and structural integrity.

The tank features original mounting brackets for perfect compatibility and quick installation. Certified with ECE-R34, it meets the highest safety and performance standards required in international markets.



KMD CODE	COMPATIBLE	BRAND	SIZE mm	LITER
AT6000094001B	UNIVERSAL	KMD	600X940	250
AT6000130001B	UNIVERSAL	KMD	600X1300	350
AT6000148001B	UNIVERSAL	KMD	600X1480	400
AT6000185001B	UNIVERSAL	KMD	600X1850	500
AT6000210001B	UNIVERSAL	KMD	600X2100	590



R550

R550 mm round fuel tank, specially designed for trailers, is manufactured from high-quality H5754 aluminum with a 2.5 mm thick body, side covers, and internal baffles for enhanced durability and structural integrity.

The tank features original mounting brackets for perfect compatibility and quick installation. Certified with ECE-R34, it meets the highest safety and performance standards required in international markets.



KMD CODE	COMPATIBLE	BRAND	SIZE mm	LITER
AT5500133001	UNIVERSAL	KMD	550x1330	300
AT5500155001	UNIVERSAL	KMD	550x1550	350
AT5500176001	UNIVERSAL	KMD	550x1760	400
AT5500200001	UNIVERSAL	KMD	550x2000	450
AT5500210001	UNIVERSAL	KMD	550x2100	490



R470

R470 mm round fuel tank, specially designed for trailers, is manufactured from high-quality H5754 aluminum with a 2.5 mm thick body, side covers, and internal baffles for enhanced durability and structural integrity.

The tank features original mounting brackets for perfect compatibility and quick installation. Certified with ECE-R34, it meets the highest safety and performance standards required in international markets.



KMD CODE	COMPATIBLE	BRAND	SIZE mm	LITER
AT4700090001B	UNIVERSAL	KMD	470x900	150
AT4700120001B	UNIVERSAL	KMD	470x1200	200
AT4700154001B	UNIVERSAL	KMD	470x1540	250
AT4700185001B	UNIVERSAL	KMD	470x1850	300
AT4700210001B	UNIVERSAL	KMD	470x2100	350



Visit our web site www.kmd.com.tr for bracket components.



GO FURTHER



KMD's squared hydraulic tanks, made from robust aluminum and steel, combine compact design with high performance. They provide reliable fluid storage for demanding hydraulic systems in tight installation spaces.



KMD CODE	SIZE mm	LITER	KMD CODE	SIZE mm	LITER
AH5167040001B	510X670X400	120	AH5867040001B	580X670X400	140
AH5167050001B	510X670X500	150	AH5867050001B	580X670X500	180
AH5167062001B	510X670X620	190	AH5867062001B	580X670X620	220



KMD CODE	SIZE mm	LITER	KMD CODE	SIZE mm	LITER
AH5664040001B	560X640X400	130	AH6368040001B	620X670X400	150
AH5664050001B	560X640X500	160	AH6368050001B	620X670X500	190
AH5664062001B	560X640X620	200	AH6368062001B	620X670X620	240



R700

KMD's round hydraulic tanks, made from robust aluminum and steel, combine compact design with high performance. They provide reliable fluid storage for demanding hydraulic systems in tight installation spaces.



KMD CODE	SIZE mm	COMPATIBLE	LITER
AH7070040001B	510X670X400	VOLVO - RENAULT	180
AH7070050001B	510X670X500	VOLVO - RENAULT	220
AH7070062001B	510X670X620	VOLVO - RENAULT	280



BEHIND CABIN

KMD's auxiliary truck fuel - hydraulic tanks are designed to be mounted behind the cab, providing extended fuel capacity for long-haul operations.

Manufactured from high-grade aluminum or steel, these tanks offer excellent durability, corrosion resistance, and compatibility with various truck models. Ideal for fleets requiring maximum range and efficiency, KMD auxiliary tanks ensure reliable performance without compromising space or safety.



KMD CODE	COMPATIBLE	BRAND	SIZE mm	LITER
GE45100200001B	ALL TRUCKS	KMD	450X1000X2000	800
GE45100210001B	ALL TRUCKS	KMD	450X1000X2100	850
GE5167200001B	ALL TRUCKS	KMD	510X670X2000	600
GE5167165001B	ALL TRUCKS	KMD	510X670X1650	500
GE5080205001B	ALL TRUCKS	KMD	500X800X2050	800
GE321000210001B	ALL TRUCKS	KMD	320X1000X2100	650

700X700



KMD's auxiliary fuel tanks for generators are manufactured from high-quality aluminum and steel, with capacities up to 1000 liters.

Designed for durability and efficiency, each tank includes a level indicator and can be optionally equipped with a raised platform for easier installation and maintenance. Ideal for continuous power systems, KMD tanks ensure reliable fuel supply in every condition.



KMD CODE	COMPATIBLE	BRAND	SIZE mm	LITER
AJ7070056001B	ALL GENERATORS	KMD	700X700X560	250
AJ7070078001B	ALL GENERATORS	KMD	700X700X780	350
AJ7070113001B	ALL GENERATORS	KMD	700X700X1130	495
AJ7070136501B	ALL GENERATORS	KMD	700X700X1365	580
AJ7070155001B	ALL GENERATORS	KMD	700X700X1550	700
AJ7070224001B	ALL GENERATORS	KMD	700X700X2240	995



R350

KMD's squared hydraulic tanks, made from robust aluminum and steel, combine compact design with high performance. They provide reliable fluid storage for demanding hydraulic systems in tight installation spaces.



KMD CODE	SIZE mm	COMPATIBLE	LITER
AS3500075001B	350X700	UNIVERSAL	70
AS3500055001B	350X550	UNIVERSAL	50



Visit www.kmd.com.tr for all spare part and accesories.



At KMD, quality is not a promise — it's a process. Every tank we produce undergoes strict quality control measures, from material selection to final inspection. Our production lines utilize advanced robotic welding systems to ensure precision, consistency, and structural integrity.



QUALITY CERTIFICATES



14001:2015



45001:2018



ECE-R34



16949:2016





45
YEARS

PRODUCT CATALOG

2025/6

Sarımeşe mah. Suadiye cad. No:34
KARTEPE KOCAELİ TÜRKİYE

info@kmd.com.tr
+908508852883
www.kmd.com.tr