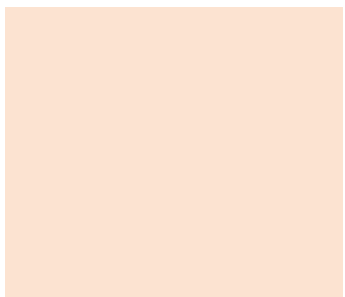
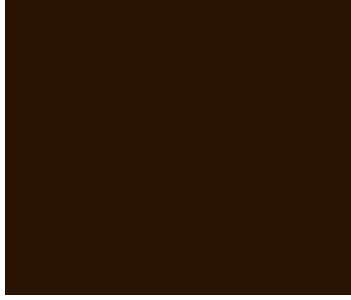
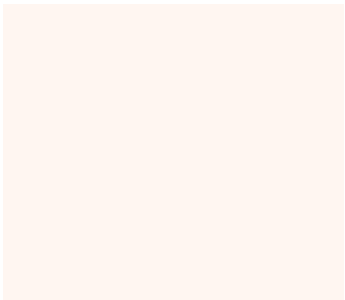
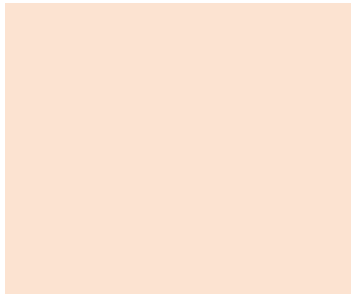
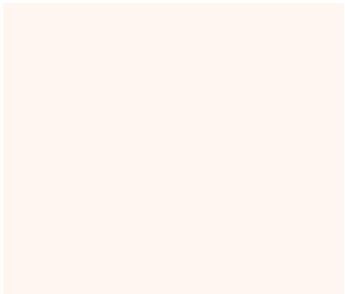
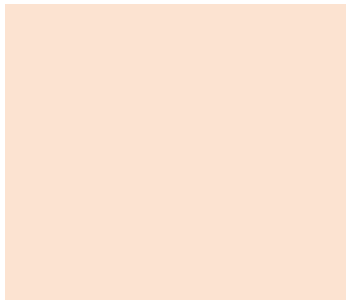


alparla

# COLLECTION



# INDEX

**04**  ARMCHAIRS

---

**22**  SOFAS

---

**29**  CHAIRS

---

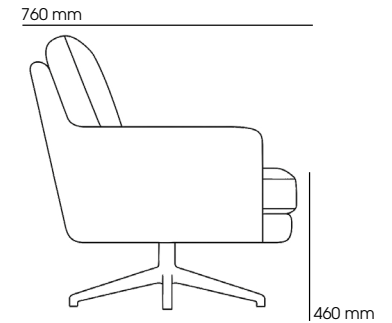
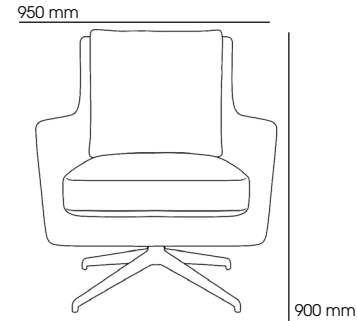
**33**  STOOLS

---

**ARMCHAIRS**

# ALTO

alparla



Alto features a fully upholstered seat, backrest, and arm structure with a soft, cushioned profile. The design includes a separate seat cushion and a loose back pillow for added support. The chair is mounted on a four-star metal swivel base, providing rotation and stability. The upholstery covers the entire upper body, creating a continuous and unified form.

## TECHNICAL SPECIFICATIONS

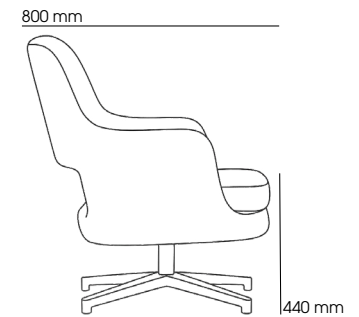
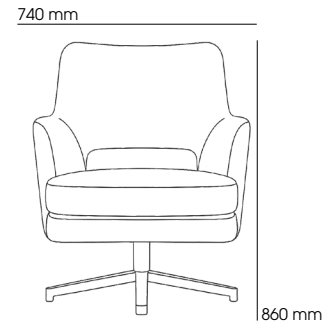
### DIMENSIONS

**Width:**900 mm  
**Depth:**760 mm

**Height:**950 mm  
**Seat Height:**460 mm

# GATO

alparla



Gato features a curved, fully upholstered seat and backrest with integrated armrests.

The upholstery has a subtle textured pattern that follows the contours of the frame.

A separate, thick seat cushion provides additional structure.

The chair is supported by a four-leg metal swivel base, offering rotation and stability.

Its construction combines textile upholstery with a durable metal support system suitable for various interior applications.

## TECHNICAL SPECIFICATIONS

### DIMENSIONS

**Width:**740 mm

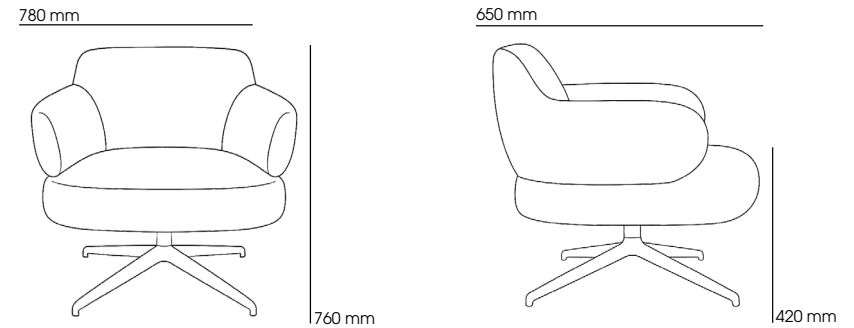
**Depth:**800 mm

**Height:**860 mm

**Seat Height:**440 mm

# RICCIA

alparla



This armchair features a rounded, fully upholstered form composed of two layered cushion structures that create the seat and backrest.

The integrated arm sections follow the same curved geometry, providing a continuous and unified silhouette.

The chair is mounted on a four-star metal swivel base, offering stability and smooth rotation.

## TECHNICAL SPECIFICATIONS

### DIMENSIONS

**Width:**780 mm

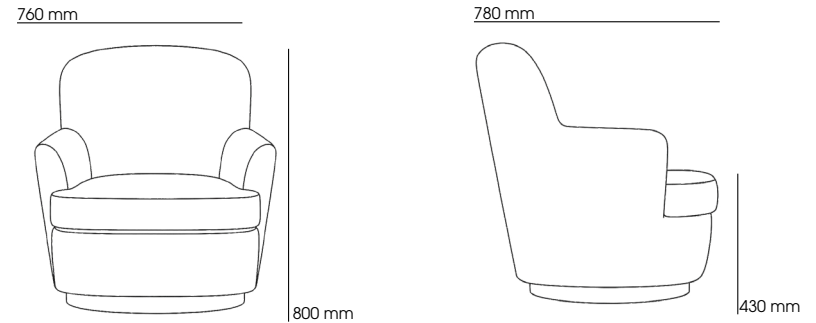
**Depth:**650 mm

**Height:**760 mm

**Seat Height:**420 mm

# POLTRANO

alparla



This armchair features a fully upholstered structure with a high, gently curved backrest and integrated armrests. The seat includes a thick, rounded cushion that aligns with the chair's soft, continuous silhouette. The piece is supported by a circular swivel base, providing full rotation while maintaining stability. The textured fabric upholstery covers the entire body, creating a uniform and cohesive form.

## TECHNICAL SPECIFICATIONS

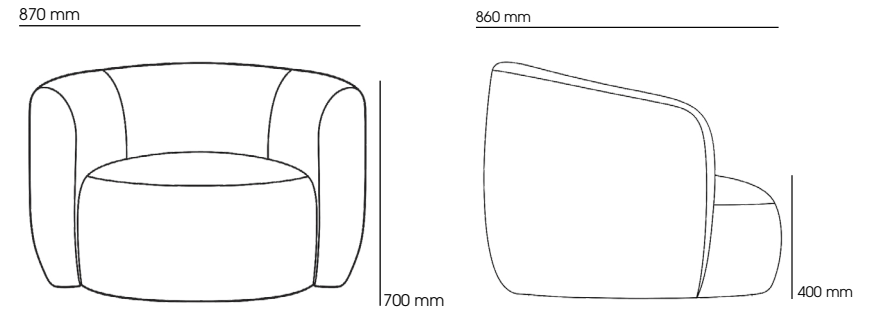
### DIMENSIONS

**Width:**760 mm  
**Depth:**780 mm

**Height:**800 mm  
**Seat Height:**430 mm

# LIMONE

alparla



Limone features a rounded, fully upholstered form consisting of a curved backrest and an integrated cylindrical seat base. The back and sides form a continuous wrap around structure, while the seat has a thick, padded surface. The chair sits on a concealed base, giving the upper body a seamless, unified appearance.

## TECHNICAL SPECIFICATIONS

### DIMENSIONS

**Width:**870 mm

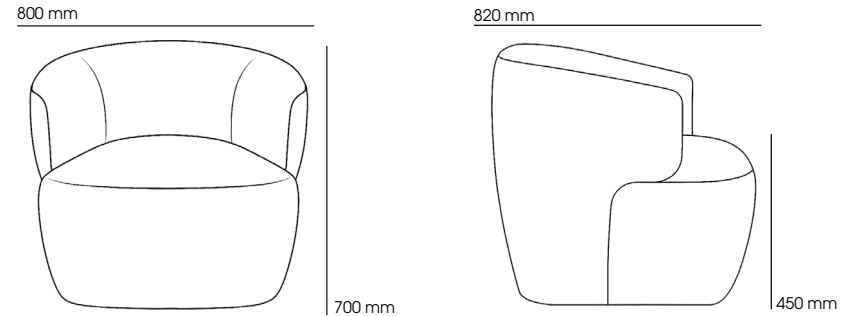
**Depth:**860 mm

**Height:**700 mm

**Seat Height:**400 mm

# COCO

alparla



Coco features a smooth, rounded silhouette designed for enveloping comfort. The fully upholstered body is crafted in a textured, soft-touch fabric that enhances its warm and inviting character. Its curved backrest gently wraps around the sitter, providing ergonomic support while maintaining a minimalist, contemporary look.

## TECHNICAL SPECIFICATIONS

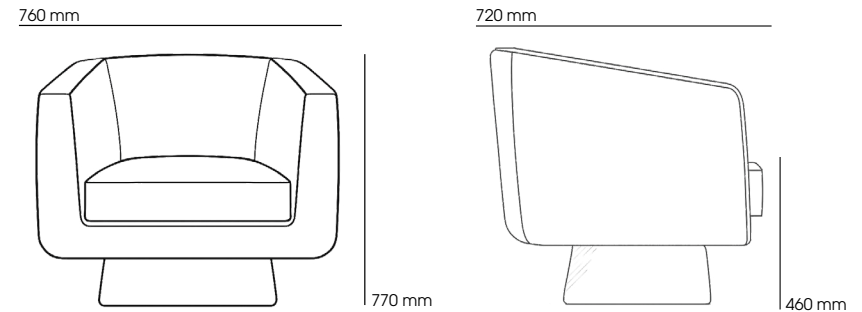
### DIMENSIONS

**Width:**800 mm  
**Depth:**820 mm

**Height:**700 mm  
**Seat Height:**450 mm

# ADJE

alparla



Adje features a box-shaped silhouette with angled armrests and a fully upholstered frame. The design includes a separate seat cushion positioned on a wide, upholstered base. The backrest and sides form a continuous geometric structure, while the low pedestal-style base provides support and stability.

## TECHNICAL SPECIFICATIONS

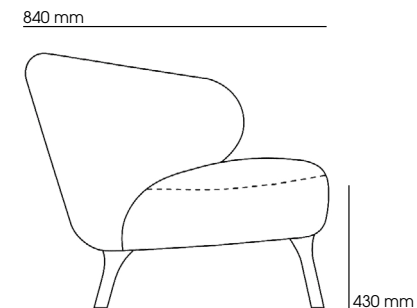
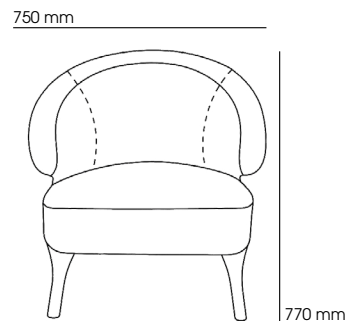
### DIMENSIONS

**Width:**760 mm  
**Depth:**720 mm

**Height:**770 mm  
**Seat Height:**460 mm

# SALOTTO

alparla



Salotto features a rounded, fully upholstered backrest that seamlessly transitions into the seat. The upholstery covers both the back and seat in a continuous patterned fabric. The structure is supported by four tapered wooden legs connected to a slim wooden base frame. The silhouette combines a curved upper body with a low, cushioned seat.

## TECHNICAL SPECIFICATIONS

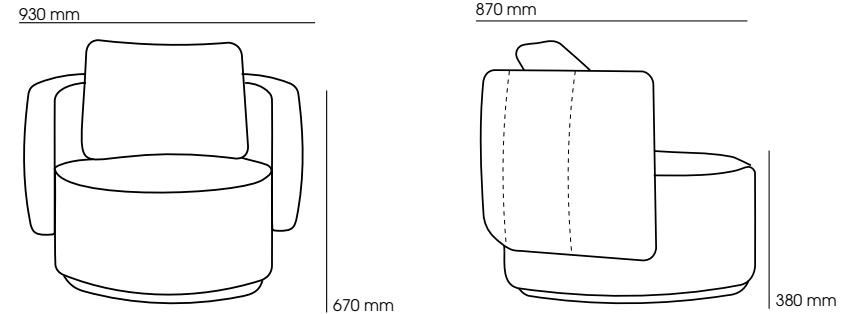
### DIMENSIONS

**Width:**750 mm  
**Depth:**840 mm

**Height:**770 mm  
**Seat Height:**430 mm

# UMA

alparla



Uma features a cylindrical upholstered seat paired with a semi-enclosed backrest structure composed of straight vertical side panels.

The interior includes a loose back cushion that aligns with the chair's rounded form.

The piece sits on a circular swivel base, allowing rotational movement.

The upholstery covers the entire upper body in a uniform fabric.

## TECHNICAL SPECIFICATIONS

### DIMENSIONS

**Width:**930 mm

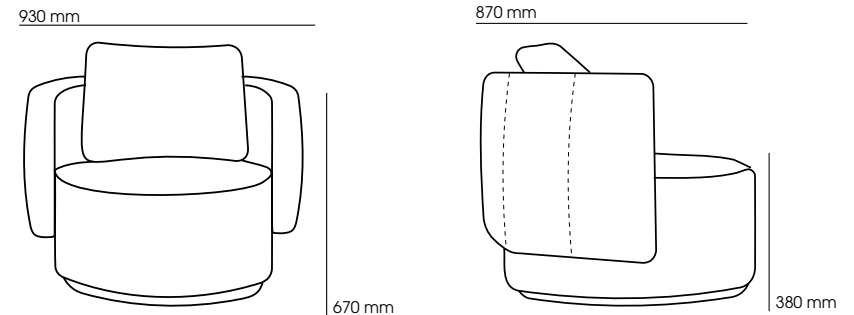
**Depth:**870 mm

**Height:**670 mm

**Seat Height:**380 mm

# CHERCHIO

alparla



Cherchio features a cylindrical, fully upholstered seat base combined with a partially enclosed backrest structure. The backrest extends vertically and is paired with a loose cushion for added support. The chair sits on a circular swivel base, allowing rotation while maintaining stability. The upholstery covers the entire upper form in a uniform fabric.

## TECHNICAL SPECIFICATIONS

### DIMENSIONS

**Width:**930 mm

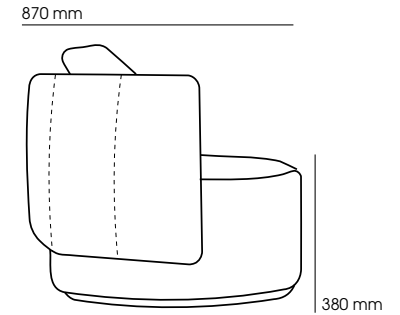
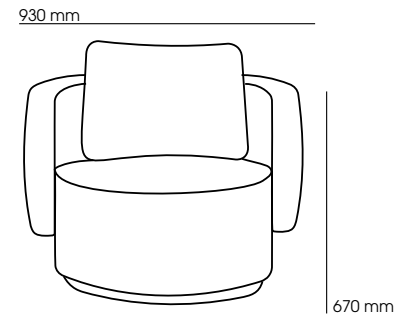
**Depth:**870 mm

**Height:**670 mm

**Seat Height:**380 mm

# GINA

alparla



Gina features a cylindrical upholstered seat combined with a semi-enclosed backrest formed by straight vertical side panels. The structure includes a loose cushion placed against the back for added support.

The piece is fully upholstered and sits on a circular swivel base that enables rotational movement.

## TECHNICAL SPECIFICATIONS

### DIMENSIONS

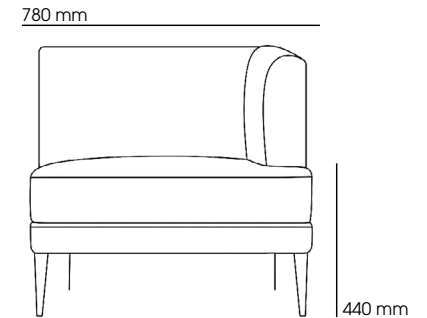
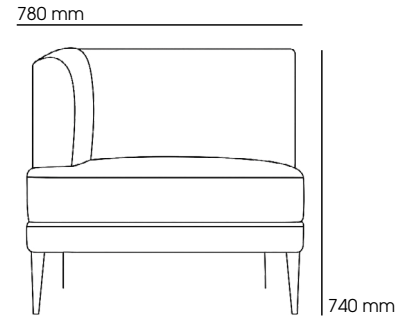
**Width:**930 mm

**Depth:**870 mm

**Height:**670 mm

**Seat Height:**380 mm

# GATWICK



Gatwick stands out with its bold geometric profile and compact form. Designed with a low back and a single-sided armrest, it offers a versatile layout that works well as a standalone accent or in modular arrangements. Elevated on slim, tapered legs, the design achieves a balance of lightness and structure.

## TECHNICAL SPECIFICATIONS

### DIMENSIONS

**Width:**780 mm

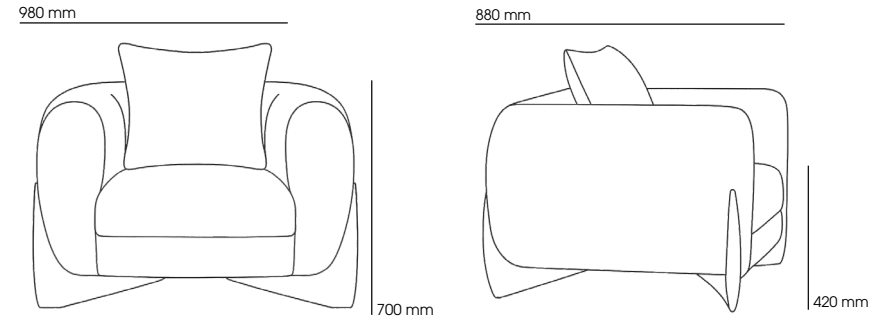
**Depth:**750 mm

**Height:**740 mm

**Seat Height:**440 mm

# BOTERO

alparla



A contemporary armchair with a soft, rounded silhouette and deep, inviting comfort.

Upholstered in textured fabric, the piece is elevated by sculptural solid-wood side panels that add structure and warmth.

Its wide seat cushion and loose back pillow create a relaxed yet refined presence, making it ideal for modern living and hospitality spaces.

## TECHNICAL SPECIFICATIONS

### DIMENSIONS

**Width:**980 mm

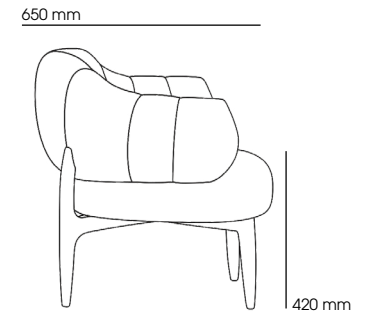
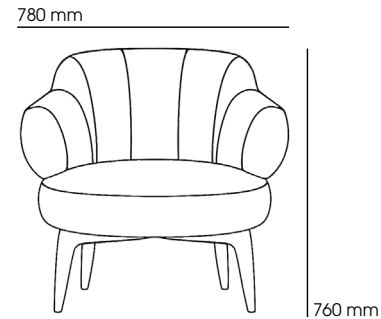
**Depth:**880 mm

**Height:**700 mm

**Seat Height:**420 mm

# SIRENE

alparla



An armchair featuring vertically paneled upholstery, rounded arm cushions, and a curved backrest.

The seat is supported by tapered solid-wood legs, creating a stable and elevated structure.

The design combines a fully upholstered body with a wooden base for balanced proportion and durability.

## TECHNICAL SPECIFICATIONS

### DIMENSIONS

**Width:**780 mm

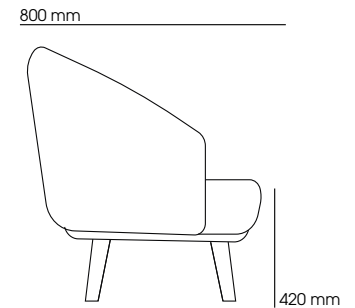
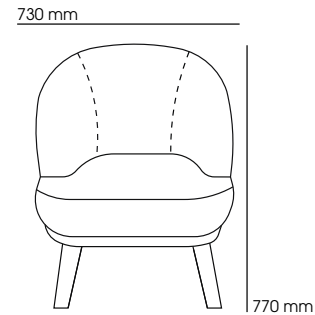
**Depth:**650 mm

**Height:**760 mm

**Seat Height:**420 mm

# FACILE

alparla



Facile features a curved backrest and integrated arm design. The interior is upholstered in a soft fabric, while the outer shell is finished in a contrasting material for a two-tone effect. The seat includes a thick, cushioned surface, and the structure is supported by four tapered wooden legs. The combination of a rounded upper form and a solid base provides a balanced, durable construction.

## TECHNICAL SPECIFICATIONS

### DIMENSIONS

**Width:**730 mm

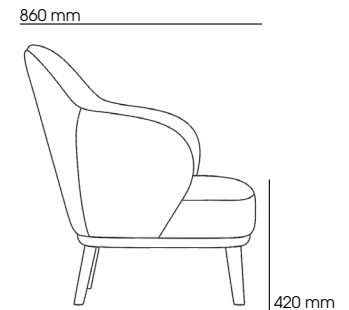
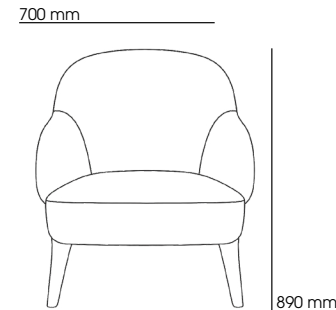
**Depth:**800 mm

**Height:**770 mm

**Seat Height:**420 mm

# SANDRO

alparla



Sandro features a curved backrest and integrated arm design with a fully upholstered interior surface.

The outer shell is finished in a contrasting material that wraps around the sides.

The seat has a wide, padded structure, and the chair is supported by four tapered wooden legs connected to a low wooden base frame.

The design combines an upholstered upper body with a solid, stable foundation.

## TECHNICAL SPECIFICATIONS

### DIMENSIONS

**Width:**700 mm

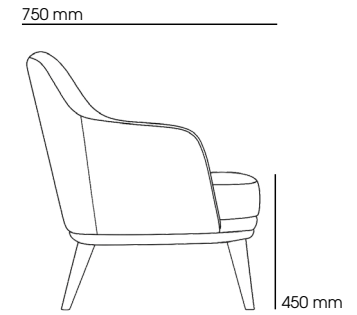
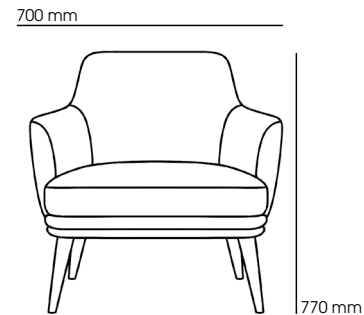
**Depth:**860 mm

**Height:**890 mm

**Seat Height:**420 mm

# ENZO

alparla



Enzo features a fully upholstered seat and backrest with a smooth, curved silhouette.

The backrest transitions into integrated armrests, forming a continuous shell.

The seat includes a separate padded cushion, and the structure is supported by four tapered wooden legs connected to a low wooden base frame.

The design combines an upholstered upper body with a stable, elevated foundation.

## TECHNICAL SPECIFICATIONS

### DIMENSIONS

**Width:**700 mm

**Depth:**750 mm

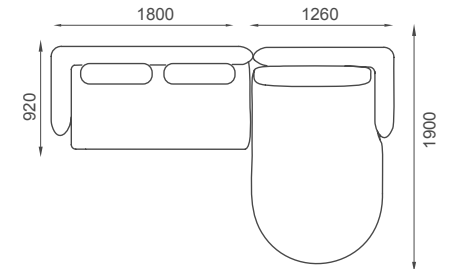
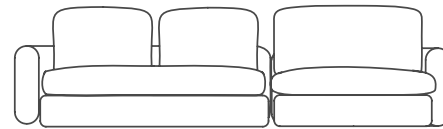
**Height:**770 mm

**Seat Height:**450 mm

**SOFAS**

# PAVONE

alparla



The Pavone Modular Sofa is designed with adaptability and modern living in mind.

Its low-profile silhouette, rounded edges, and generous proportions create a welcoming aesthetic.

Built as a flexible modular system, it features a chaise extension for added lounging comfort and multiple seat units that can be rearranged to suit different layouts.

The model is available in multiple modular variations, allowing different configurations to be created as needed.

## TECHNICAL SPECIFICATIONS

### DIMENSIONS / END UNIT LEFT

**Width:**1800 mm

**Depth:**920 mm

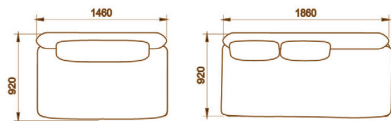
### DIMENSIONS / CHAISE LOUNGE

**Width:**1260 mm

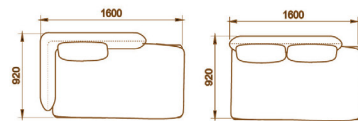
**Depth:**1900 mm

# PAVONE MODULES

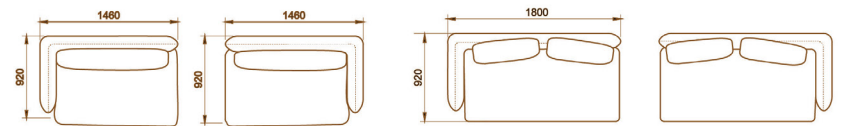
## CENTER UNIT



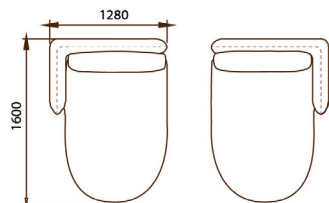
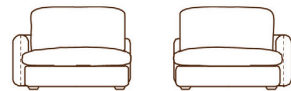
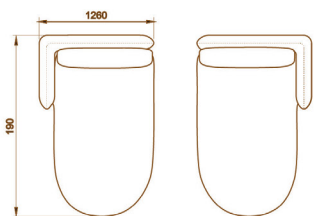
## PENINSULA



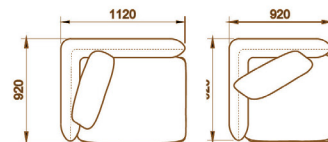
## END UNIT



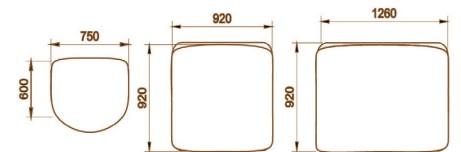
## CHAISE LOUNGE



## CORNER

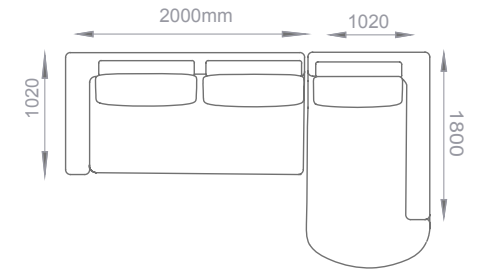
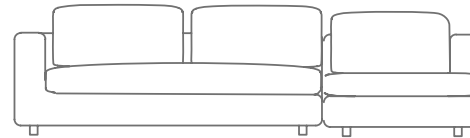


## POUF



# DELIZIO

alparla



The Delizio Modular Sofa combines contemporary style with functional versatility. Designed as a sectional system, it features spacious seating, deep cushions, and a chaise extension for maximum comfort. Each module can be configured to suit different room layouts, making it adaptable for both compact and expansive spaces. The model is available in multiple modular variations, allowing different configurations to be created as needed.

## TECHNICAL SPECIFICATIONS

### DIMENSIONS / END UNIT LEFT

**Width:**2000 mm

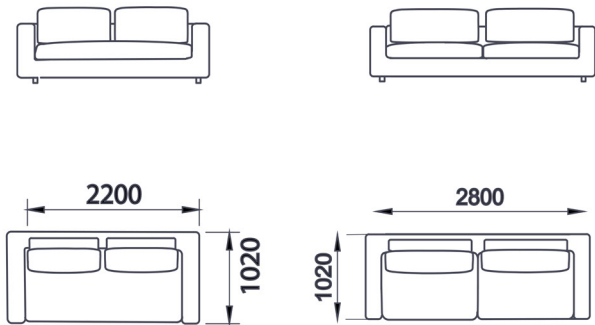
**Depth:**1020 mm

### DIMENSIONS / CHAISE LOUNGE

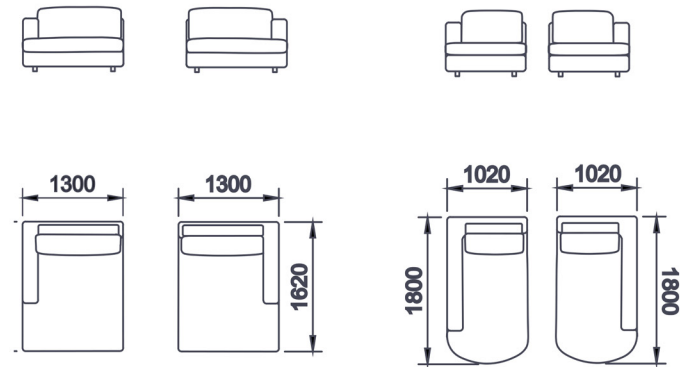
**Width:**1020 mm

**Depth:**1800 mm

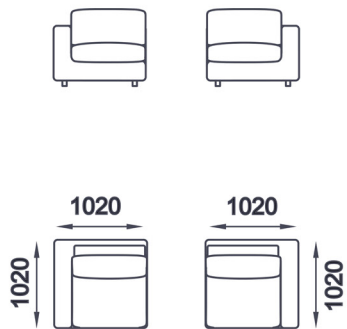
## SOFA



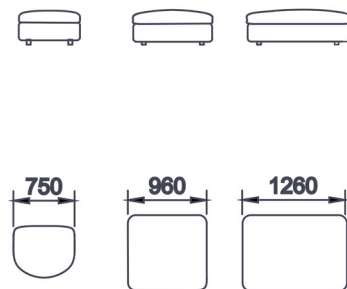
## CHAISE LOUNGE



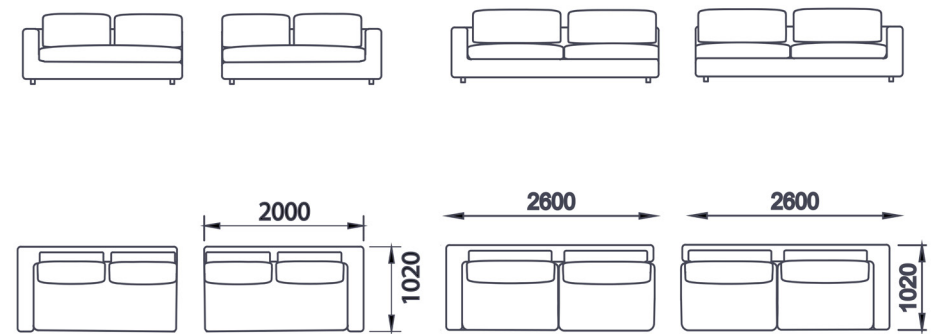
## CORNER



## POUF

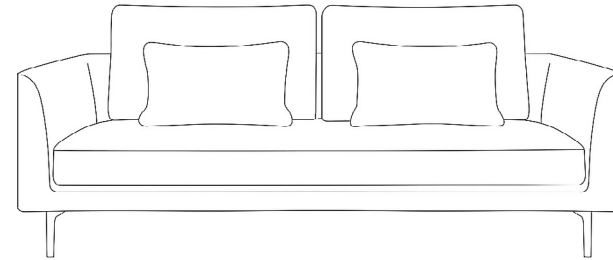


## END UNIT



# NOVARO

alparla



Novaro features a clean-lined, upholstered frame with gently angled armrests.

The design includes separate seat cushions and large, structured back cushions positioned against a straight backrest.

Slim, raised legs support the silhouette, giving the piece an elevated appearance.

The model is available in multiple modular variations, allowing different configurations to be created as needed.

## TECHNICAL SPECIFICATIONS

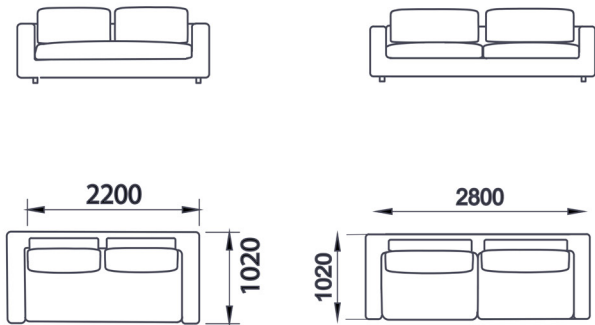
### DIMENSIONS

**Width:**2800 mm

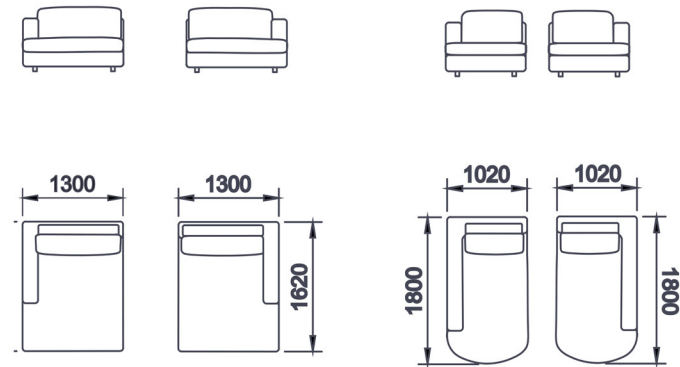
**Depth:**1020 mm

# NOVARO MODULES

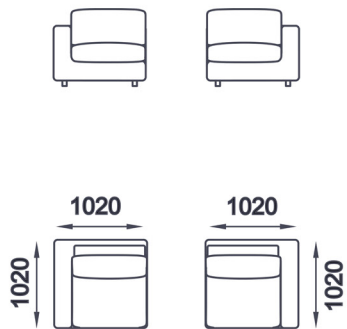
## SOFA



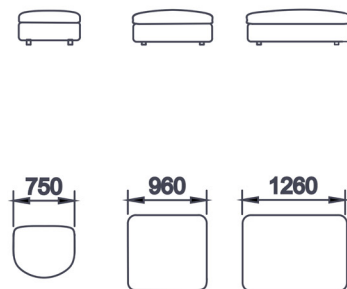
## CHAISE LOUNGE



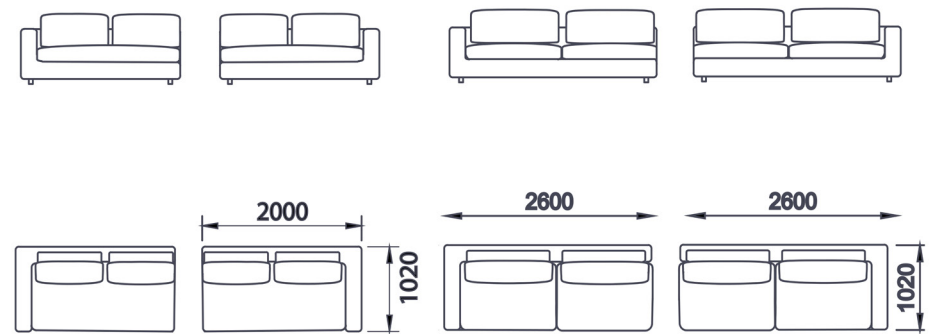
## CORNER



## POUF



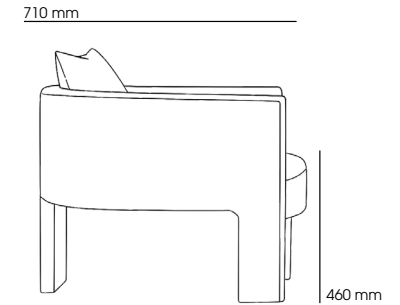
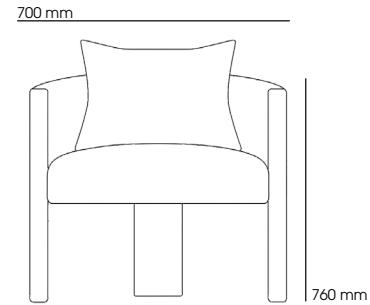
## END UNIT



**CHAIRS**

# COLBY

alparla



Colby features a straight-lined frame with fully upholstered sides, seat, and legs. The design includes a low, rounded backrest that transitions into integrated arm panels. A loose back cushion provides additional support, while the seat has a flat, structured surface. The chair's construction is fully fabric-covered, creating a unified and continuous appearance.

## TECHNICAL SPECIFICATIONS

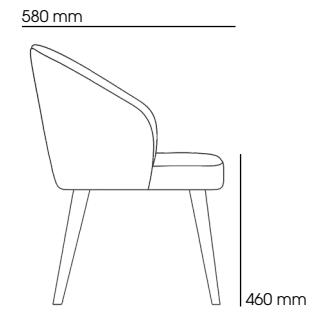
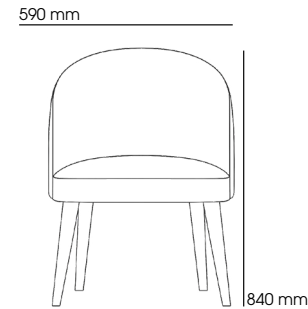
### DIMENSIONS

**Width:**700 mm  
**Depth:**710 mm

**Height:**760 mm  
**Seat Height:**460 mm

# LUNA

alparla



Luna features a curved backrest that transitions into integrated side panels.

The interior seat and back are upholstered in fabric, while the outer shell is covered in a contrasting material.

The seat has a flat, structured surface, and the chair is supported by four tapered wooden legs, creating a stable and upright construction.

## TECHNICAL SPECIFICATIONS

### DIMENSIONS

**Width:**590 mm

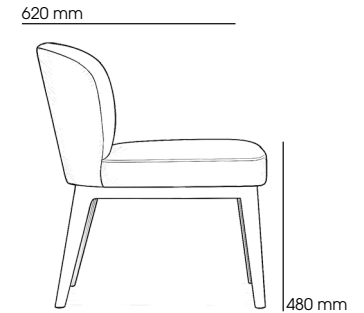
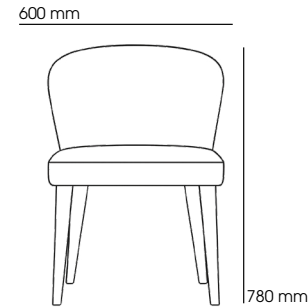
**Depth:**580 mm

**Height:**840 mm

**Seat Height:**460 mm

# DIANA

alparla



Diana features a curved backrest that transitions into integrated side panels, forming a continuous shell. The design includes a separate seat cushion set on a rounded seat base.

A small opening is positioned between the backrest and the seat, lightening the overall structure.

The chair is supported by four straight, tapered wooden legs.

## TECHNICAL SPECIFICATIONS

### DIMENSIONS

**Width:**600 mm

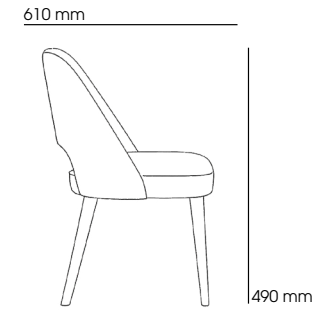
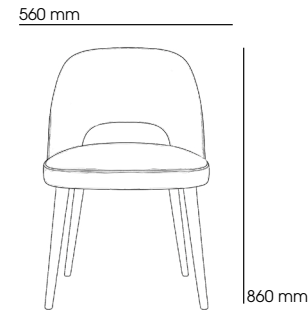
**Depth:**620 mm

**Height:**780 mm

**Seat Height:**480 mm

# ISLAND

alparla



Island features a gently curved backrest that flows seamlessly into the seat, creating a soft and inviting silhouette. The flat, cushioned seat is supported by four tapered wooden legs, adding warmth and stability to the design. The overall form balances rounded contours with a clean, elevated base, making it suitable for dining or accent seating.

## TECHNICAL SPECIFICATIONS

### DIMENSIONS

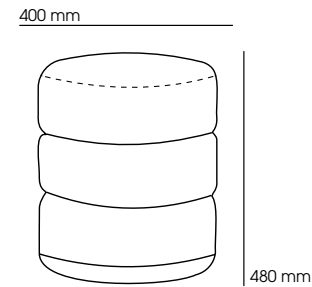
**Width:**560 mm  
**Depth:**610 mm

**Height:**860 mm  
**Seat Height:**490 mm

**STOOLS**

# BORDI

alparla



Bordi brings a sculptural rhythm to soft seating. Its cylindrical form is defined by stacked, layered tiers that create a sense of movement and depth. This architectural silhouette transforms a simple pouf into a striking accent piece, offering both visual interest and everyday versatility.

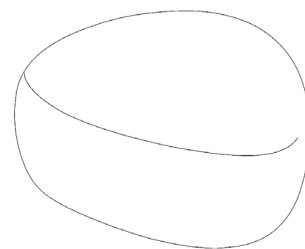
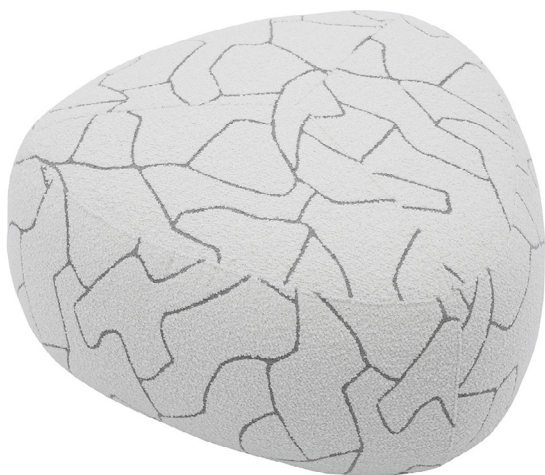
## TECHNICAL SPECIFICATIONS

### DIMENSIONS

**Diameter:**400 mm

**Height:**480 mm

# STONE



Stone features a soft, rounded triangular form with smooth, continuous surfaces.  
The structure is composed of a single, unified volume without visible legs or additional components.

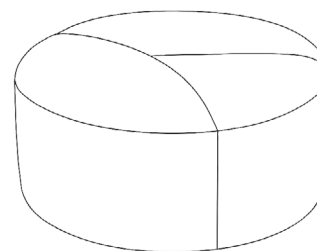
## TECHNICAL SPECIFICATIONS

### AVAILABLE DIMENSIONS

**Diameter:** 450 mm  
550 mm  
850 mm

**Height:** 360 mm

# PATCH



Patch features a segmented top surface divided into multiple curved panels.

The cylindrical body maintains a smooth, continuous form.

One of the side sections incorporates a contrasting panel, allowing the piece to be produced with different fabric selections for a more playful visual variation.

The structure consists of a unified cushioned upper surface and a solid cylindrical base.

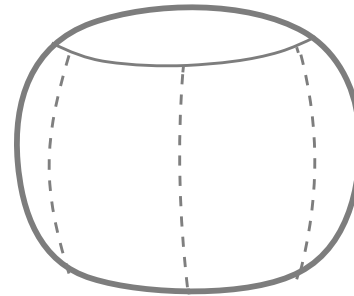
## TECHNICAL SPECIFICATIONS

### AVAILABLE DIMENSIONS

**Diameter:** 500 mm  
600 mm  
700 mm

**Height:** 400 mm

# RALPH



The Ralph Pouf is a compact and versatile accent piece with a smooth, rounded form.

Its minimalist silhouette and tailored seams give it a refined yet playful character.

Lightweight and functional, it can serve as a footrest, extra seating, or a decorative element in any setting.

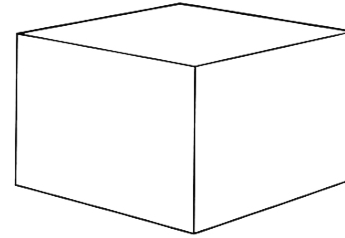
## TECHNICAL SPECIFICATIONS

### AVAILABLE DIMENSIONS

**Diameter:** 450 mm  
600 mm  
800 mm

**Height:** 400 mm

# BEND



The Bend Pouf features a sleek rectangular form with clean lines and a structured profile. Its geometric silhouette makes it a versatile piece, functioning as extra seating, a footrest, or a low table when paired with a tray.

## TECHNICAL SPECIFICATIONS

### AVAILABLE DIMENSIONS

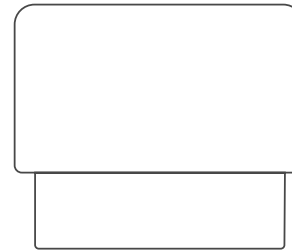
**Width:**520 mm  
620 mm  
720 mm

**Depth:**520 mm  
620 mm  
720 mm

**Height:**340 mm

# FUNGO

alparla



Playful yet refined, Fungo reimagines the traditional pouf as a bold, sculptural accent.

Its soft, cube-like form adds a touch of whimsy to any setting while remaining practical as an extra seat, footrest, or statement piece.

With its inviting texture and clean geometry, Fungo bridges fun and functionality.

## TECHNICAL SPECIFICATIONS

### AVAILABLE DIMENSIONS

**Width:** 500 mm  
600 mm  
700 mm

**Height:** 400 mm

**Depth:** 500 mm  
600 mm  
700 mm

contact@alparla.com

+90 232 218 1942

**Office ALPARLA :**

Adalet Mah. Manas Blv. Folkart Towers No: 47/B 35530 Bayraklı İZMİR / TURKEY

**Factory ALPARLA :**

Aşık Veysel Mah. 5852 sok. No:10/D 35110 Karabağlar İZMİR / TURKEY