



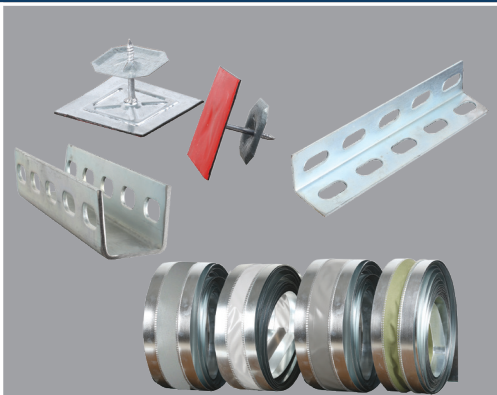
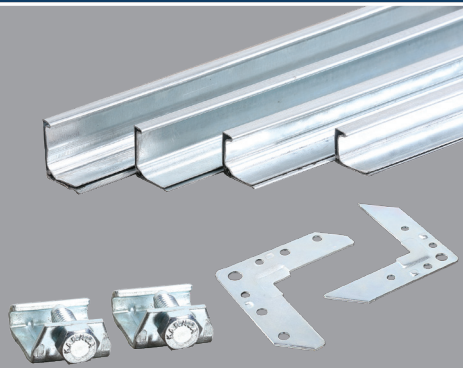
AZUR INSULATION

Smart Supply



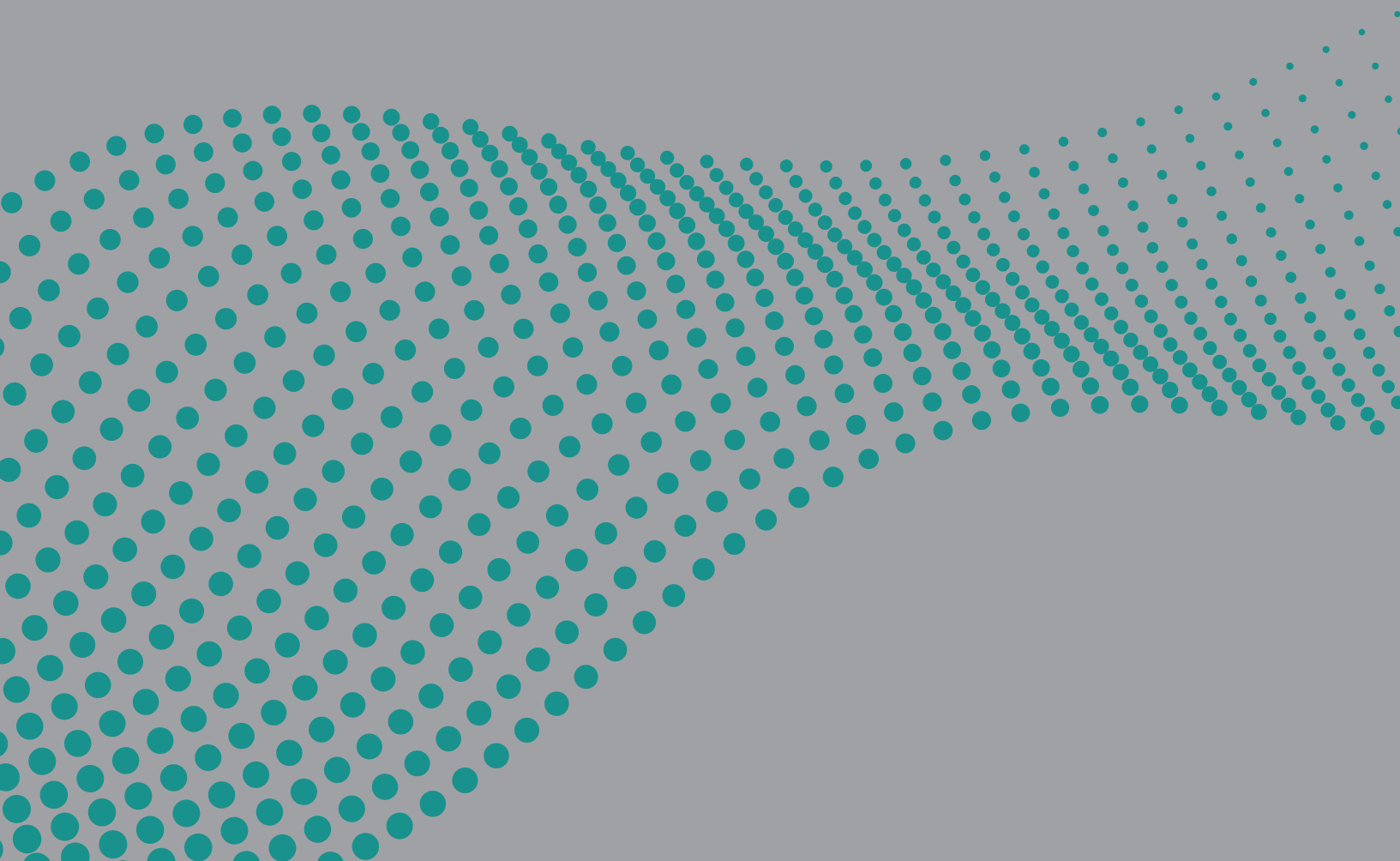
AZURDUCT
Ventilation Equipments

SMART SUPPLY OF
VENTILATION EQUIPMENTS





AZUR INSULATION
Smart Supply



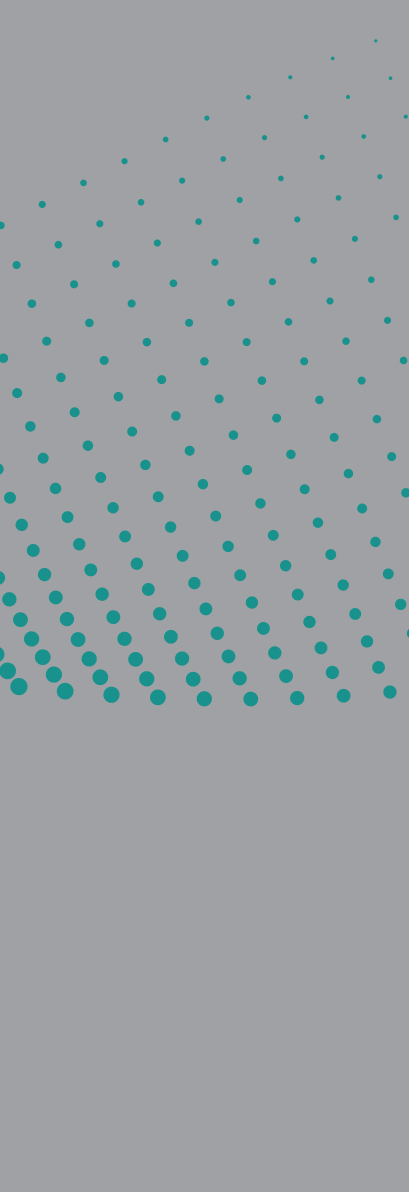


About Us

AZUR INSULATION

Azur Insulation has been founded in 2019 with the clear goal of fulfilling the high quality product and service needs of its customers spreading around the world. The founders have over 25 years of profound experience on production, distributor management, supply chain management, international logistics, trade regulations and competition as well as relevant product certification practices in global and local levels. Azur Insulation headquartered in Istanbul/Turkiye. The company has segmented its activities mainly on technical & building insulation and HVAC-R equipments.

Existing and potential customers of Azur Insulation comprise direct importers and distributors, wholesalers and MEP contractors which constantly utilize products and services from a reliable source within a sustainable fruitful relation. Exceptional functional, operational and technical expertise coupled with extensive industry knowledge makes Azur Insulation the ideal choice for a service and product provider company targeting long term collaboration with its customers.



AZURFLEXIDUCT

ALU Series

ALU BASIC

Construction	:	1 Ply Aluminium, 2 Ply Metallized Polyester
Diameter Range	:	Ø 76 - 560
Service Temperature	:	-30 °C / +150 °C
Operating Pressure	:	2500 Pa
Reaction to Fire	:	CLASSE 1 (LAPI)
Air Flow Velocity	:	30 m/s (max.)
Length	:	10 mt ± %2



ALU THERMAL BASIC

Construction	:	1 Ply Aluminium, 2 Ply Metallized Polyester
Diameter Range	:	Ø 76 - 560
Service Temperature	:	-30 °C / +150 °C
Operating Pressure	:	2500 Pa
Reaction to Fire	:	CLASSE 1 (LAPI)
Air Flow Velocity	:	30 m/s (max.)
Length	:	10 mt ± %2
Jacket Construction	:	Aluminium, + Polyester
Insulation	:	25 mm EUCEB Certified Low Emission Mineral Wool
Optional Jacket	:	Scrim Reinforced Available Upon Request



ALU OPTIMA

Construction	: 2 Ply Aluminum, 1 Ply Polyester
Diameter Range	: Ø 76 - 560
Service Temperature	: -30 °C / +150 °C
Operating Pressure	: 3000 Pa
Reaction to Fire	: M1
Air Flow Velocity	: 30 m/s (max.)
Length	: 10 mt ± %2



ALU THERMAL OPTIMA

Construction	: 2 Ply Aluminum, 1 Ply Polyester
Diameter Range	: Ø 76 - 560
Service Temperature	: -30 °C / +150 °C
Operating Pressure	: 3000 Pa
Reaction to Fire	: M1 + M1 (Plus)
Air Flow Velocity	: 30 m/s (max.)
Length	: 10 mt ± %2
Jacket Construction	: Aluminium + Polyester
Insulation	: 25 mm EUCEB Certified Low Emission Mineral Wool
Optional Jacket	: Scrim Reinforced Available Upon Request



ALU SOUND OPTIMA

Construction	: 2 Ply Aluminium, 1 Ply Polyester Perforated Duct for Sound Absorption
Diameter Range	: Ø 76 - 560
Service Temperature	: -30 °C / +150 °C
Operating Pressure	: 3000 Pa
Reaction to Fire	: M1 + M1 (Plus)
Air Flow Velocity	: 30 m/s (max.)
Length	: 10 mt ± %2
Jacket Construction	: Aluminium + Polyester
Insulation	: 25 mm EUCEB Certified Low Emission Mineral Wool
Optional Jacket	: Scrim Reinforced Available Upon Request



Excellent
Thermal
Insulation



Acoustic
Insulation



Fire Safety



High
Flexibility



Hygienic



User Friendly
Installation



Eco Friendly

AZURFLEXIDUCT

ALU Series

ALU THERMAL OPTIMA - WHITE

Construction	: 2 Ply Aluminum, 1 Ply Polyester
Diameter Range	: Ø 76 - 560
Service Temperature	: -30 °C / +150 °C
Operating Pressure	: 3000 Pa
Reaction to Fire	: M1 + M1 (Plus)
Air Flow Velocity	: 30 m/s (max.)
Length	: 10 mt ± %2
Jacket Construction	: Aluminium + Polyester
Insulation	: 25 mm White Polyester
Optional Jacket	: Scrim Reinforced Available Upon Request



ALU SOUND OPTIMA - WHITE

Construction	: 2 Ply Aluminium, 1 Ply Polyester Perforated Duct for Sound Absorption
Diameter Range	: Ø 76 - 560
Service Temperature	: -30 °C / +150 °C
Operating Pressure	: 3000 Pa
Reaction to Fire	: M1 + M1 (Plus)
Air Flow Velocity	: 30 m/s (max.)
Length	: 10 mt ± %2
Jacket Construction	: Aluminium + Polyester
Insulation	: 25 mm White Polyester
Optional Jacket	: Scrim Reinforced Available Upon Request



ALU PREMIUM F

Construction	: 3 Ply Aluminium, 2 Ply Polyester
Diameter Range	: Ø 76 - 560
Service Temperature	: -30 °C / +250 °C
Reaction to Fire	: M0
Operating Pressure	: 3000 Pa
Air Flow Velocity	: 30 m/s (max.)
Length	: 10 mt ± %2



ALU THERMAL PREMIUM F

Construction	: 3 Ply Aluminium, 2 Ply Polyester
Diameter Range	: Ø 76 - 560
Service Temperature	: -30 °C / +250 °C
Operating Pressure	: 3000 Pa
Reaction to Fire	: M0+M1
Air Flow Velocity	: 30 m/s (max.)
Length	: 10 mt ± %2
Jacket Construction	: Aluminium + Polyester
Insulation	: 25 mm EUCEB Certified Low Emission Mineral Wool
Optional Jacket	: Scrim Reinforced Available Upon Request



ALU SOUND PREMIUM F

Construction	: 3 Ply Aluminium, 2 Ply Polyester Perforated Duct for Sound Absorption
Diameter Range	: Ø 76 - 560
Service Temperature	: -30 °C / +250 °C
Operating Pressure	: 3000 Pa
Air Flow Velocity	: 30 m/s (max.)
Length	: 10 mt ± %2
Jacket Construction	: Aluminium + Polyester
Insulation	: 25 mm EUCEB Certified Low Emission Mineral Wool
Optional Jacket	: Scrim Reinforced Available Upon Request



Excellent Thermal Insulation



Acoustic Insulation



Fire Safety



High Flexibility



Hygienic



User Friendly Installation



Eco Friendly

AZURFLEXIDUCT

ALU Hygiene Series

ALU HYGIENE

Construction	: 2 Ply Aluminium, 1 Ply Polyester
Diameter Range	: Ø 76 - 560
Service Temperature	: -30 °C / +150 °C
Operating Pressure	: Max 3000 Pa
Air Flow Velocity	: 30 m/s (max.)
Length	: 10 mt ± %2



ALU THERMAL HYGIENE

Construction	: 2 Ply Aluminium, 1 Ply Polyester
Diameter Range	: Ø 76 - 560
Service Temperature	: -30 °C / +150 °C
Operating Pressure	: Max 3000 Pa
Air Flow Velocity	: 30 m/s (max.)
Length	: 10 mt ± %2
Insulation	: 25 mm EUCEB Certified Low Emission Mineral Wool
Jacket Construction	: Aluminium + Polyester
Optional Jacket	: Scrim Reinforced Available Upon Request



ALU SOUND HYGIENE

Construction	: 2 Ply Aluminium, 1 Ply Polyester Perforated Duct for Sound
Diameter Range	: Ø 76 - 560
Service Temperature	: -30 °C / +150 °C
Operating Pressure	: Max 3000 Pa
Air Flow Velocity	: 30 m/s (max.)
Length	: 10 mt ± %2
Jacket Construction	: Aluminium + Polyester
Insulation	: 25 mm EUCEB Certified Low Emission Mineral Wool
Optional Jacket	: Scrim Reinforced Available Upon Request



Excellent
Thermal
Insulation



Acoustic
Insulation



Fire Safety



High
Flexibility



Hygienic



User Friendly
Installation



Eco Friendly

AZURFLEXIDUCT

PVC Series

PVC M

Construction	: 1 Ply 220 Micron PVC Coated Mesh Fabric
Diameter Range	: Ø 76 - 560
Service Temperature	: -30 °C / +70 °C
Operating Pressure	: 3000 Pa
Air Flow Velocity	: 30 m/s (max.)
Length	: 10 mt ± %2



PVC THERMAL M

Construction	: 1 Ply 220 Micron PVC Coated Mesh Fabric
Diameter Range	: Ø 76 - 560
Service Temperature	: -30 °C / +70 °C
Operating Pressure	: 3000 Pa
Air Flow Velocity	: 30 m/s (max.)
Length	: 10 mt ± %2
Jacket Construction	: 1 Ply Polyethylene
Insulation	: 25 mm EUCEB Certified Low Emission Mineral Wool



PVC BASIC

Construction	: 1 Ply 120 Micron PVC
Diameter Range	: Ø 76 - 560
Service Temperature	: -30 °C / +70 °C
Operating Pressure	: 3000 Pa
Air Flow Velocity	: 30 m/s (max.)
Length	: 10 mt ± %2



PVC THERMAL BASIC

Construction	: 1 Ply 120 Micron PVC
Diameter Range	: Ø 76 - 560
Service Temperature	: -30 °C / +70 °C
Operating Pressure	: 3000 Pa
Air Flow Velocity	: 30 m/s (max.)
Length	: 10 mt ± %2
Jacket Construction	: 1 Ply Polyethylene
Insulation	: 25 mm White Polyester



AZURFLEXIDUCT

Polyethylene Series

PE

Construction	:	1 Ply Polyesthylene
Diameter Range	:	Ø 76 - 560
Service Temperature	:	-30 °C / +70 °C
Operating Pressure	:	Max 2000 Pa
Air Flow Velocity	:	32 m/s (max.)
Length	:	10 mt ± %2
Color	:	Black



THERMAL PE

Construction	:	1 Ply Polyesthylene
Diameter Range	:	Ø 76 - 560
Service Temperature	:	-30 °C / +70 °C
Operating Pressure	:	Max 2000 Pa
Air Flow Velocity	:	20 m/s (max.)
Color	:	Black
Length	:	10 mt ± %2
Insulation	:	25 mm EUCEB Certified Low Emission Mineral Wool
Construction	:	1 Ply Polyesthylene



THERMAL PE WHITE

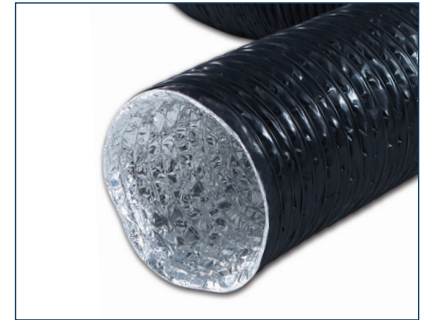
Construction	:	2 Ply Aluminium, 1 Ply Polyester Perforated Duct for Sound
Diameter Range	:	Ø 76 - 560
Service Temperature	:	-30 °C / +70 °C
Operating Pressure	:	Max 2000 Pa
Air Flow Velocity	:	20 m/s (max.)
Color	:	Black
Length	:	10 mt ± %2
Insulation	:	25 mm White Polyester
Construction	:	Scrim Reinforced Available Upon Request



AZURFLEXIDUCT COMBI

COMBI

Construction	:	3 Ply Aluminium, 2 Ply Polyester, 1 Ply PVC
Diameter Range	:	Ø 76 - 560
Service Temperature	:	-30 °C / +150 °C
Operating Pressure	:	3000 Pa
Reaction to Fire	:	Classe 2 (Due) Lapi Certificate
Air Flow Velocity	:	30 m/s (max.)
Length	:	10 mt ± %2



Excellent
Thermal
Insulation



High
Flexibility



User Friendly
Installation



Eco Friendly

AZURFLEXIDUCT

Poly Series

POLY BASIC

Construction	:	4 Ply Metallized Polyester
Diameter Range	:	Ø 76 - 560
Service Temperature	:	-30 °C / +80 °C
Operating Pressure	:	2000 Pa
Air Flow Velocity	:	30 m/s (max.)
Length	:	10 mt ± %2



POLY TERMAL BASIC

Construction	:	4 Ply Metallized Polyester
Diameter Range	:	Ø 76 - 560
Service Temperature	:	-30 °C / +80 °C
Operating Pressure	:	2000 Pa
Air Flow Velocity	:	30 m/s (max.)
Length	:	10 mt ± %2
Jacket Construction	:	Polyester
Insulation	:	25 mm EUCEB Certified Low Emission Mineral Wool
Optional Jacket	:	Scrim Reinforced Available Upon Request



AZURFLEXIDUCT

Poly Series

POLY BLACK

Construction	:	2 Ply Black Polyester
Diameter Range	:	Ø 76 - 560
Service Temperature	:	-30 °C / +80 °C
Operating Pressure	:	2000 Pa
Air Flow Velocity	:	30 m/s (max.)
Length	:	10 mt ± %2



POLY THERMAL BLACK

Construction	:	2 Ply Black Polyester
Diameter Range	:	Ø 76 - 560
Service Temperature	:	-30 °C / +80 °C
Operating Pressure	:	2000 Pa
Air Flow Velocity	:	30 m/s (max.)
Length	:	10 mt ± %2
Jacket Construction	:	Polyester
Insulation	:	25 mm EUCEB Certified Low Emission Mineral Wool
Optional Jacket	:	Scrim Reinforced Available Upon Request



Excellent
Thermal
Insulation



High
Flexibility



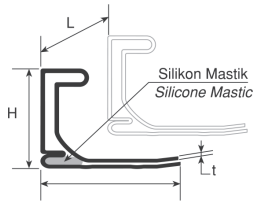
User Friendly
Installation



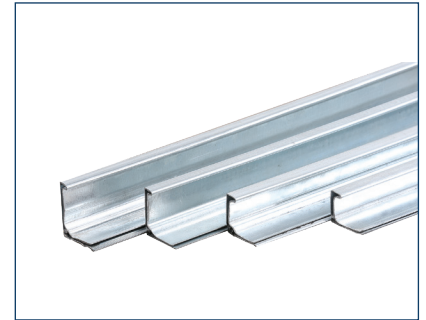
Eco Friendly

Accessories

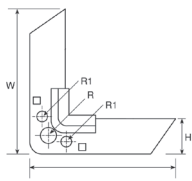
Flange Profile



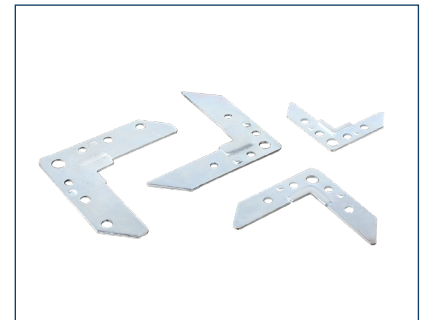
Material Type	L	H mm	T mm
Galvanized Sheet	Standard 4 m	20	0,60
		25	0,60
		30	0,70
		35	0,70
Stainless Flange		20	0,60
		25	



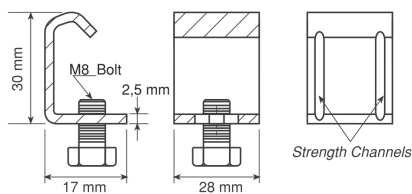
Corner Pieces Flat



Material Type	Coated Type	WxW mm	H mm	RØmm	R1Ømm
HRP - DKP	Elektro Galvanized	66	15	9	6
		82	20	9	6
		105	24	9	6
		106	29	10	6



G Clamps

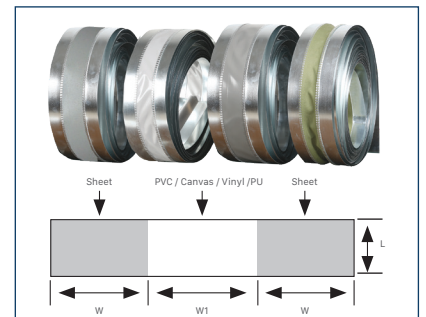


Bolt Type	Pieces Box
M8*20 mm	500
M8*30 mm	



Duct Connector

	Length mt	W mm	W1 mm	W mm
PVC	25	45	60	45
	25	45	75	45
	25	70	100	70
	25	70	150	70
	25	70	200	70
CANVAS				
VINYL				
PU (400 ° C)				



Aluminium Plain and Reinforced Tapes

Dimensions

50 mm x 30 mt

75 mm x 30 mt

100 mm x 30 mt



Pin

Pin Length mm

30

40

50

60

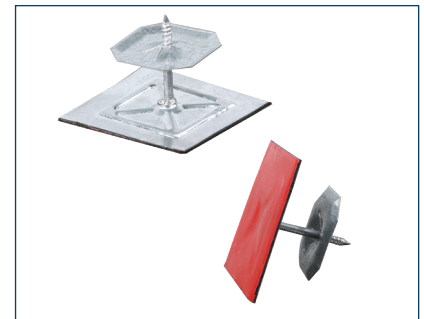
Pieces Box

500

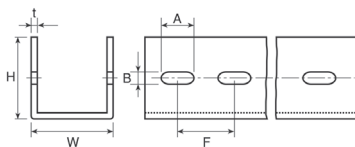
500

500

500



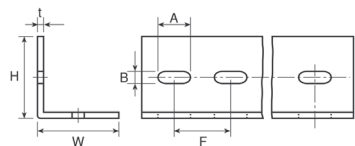
U Profile



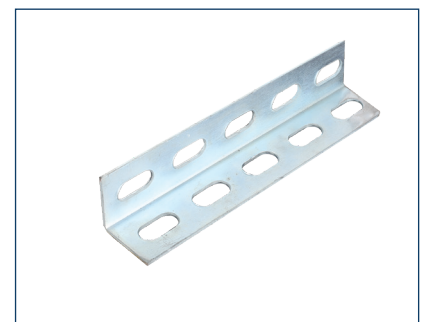
WxH mm	L mm	T mm	B mm	A mm	F mm
30 x 30	2.000	2	10	20	40
30 x 30		2,5	10	20	40
30 x 30		3	10	20	40
40 x 40		2,5	12,5	25	40
40 x 40		3	12,5	25	40
40 x 40		4	12,5	25	40
50 x 50		4	12,5	25	40



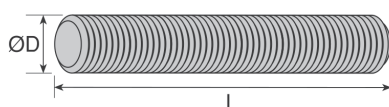
L Profile



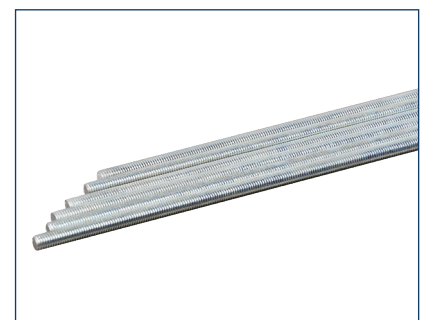
WxH mm	L mm	T mm	B mm	A mm	F mm
30 x 30	2.000	2	10	20	40
30 x 30		2,5	10	20	40
30 x 30		3	10	20	40
40 x 40		2,5	12,5	25	40
40 x 40		3	12,5	25	40
40 x 40		4	12,5	25	40
50 x 50		4	12,5	25	40



Rod

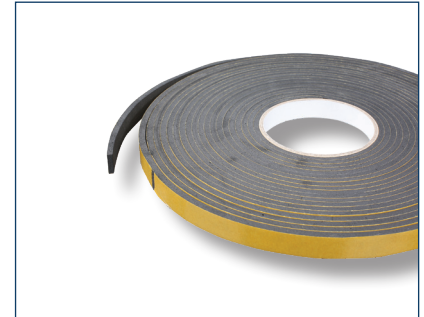
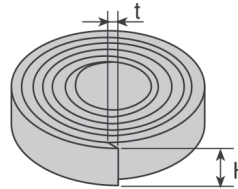


Rod Size D x L mm	Design Loads kN
M.6 x2.000	1,10
M.8 x2.000	2,25
M.10 x2.000	3,29
M.12 x2.000	4,81
M.14 x2.000	6,84
M.16 x2.000	9,18
M.18 x2.000	10,52
M.20 x2.000	14,40



Neoprene Gasket

t mm	H mm	Material Type
5	13	EPDM
5	15	
5	18	
5	20	
5	25	



Standart Length: 10 m

Mastic & Silicone

Product	Packed Type	Box Quantity
Transparent Silicone	Catridge 310 ml	25 Pcs
Red Head Resistance Silicone		
Grey Duct Mastic		



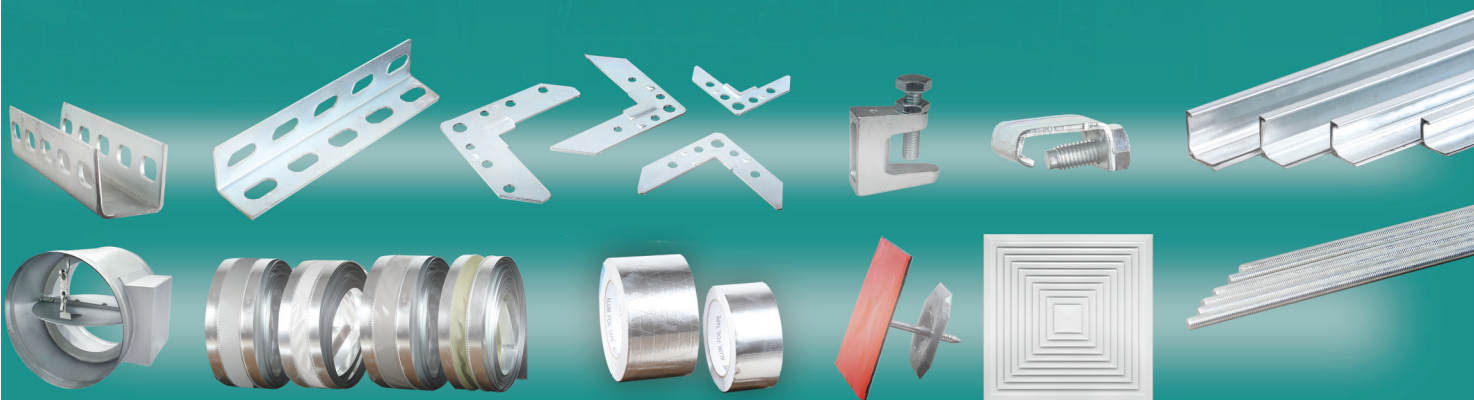
SMART SUPPLY OF VENTILATION EQUIPMENTS



AZURFLEXIDUCT
Flexible Air Duct



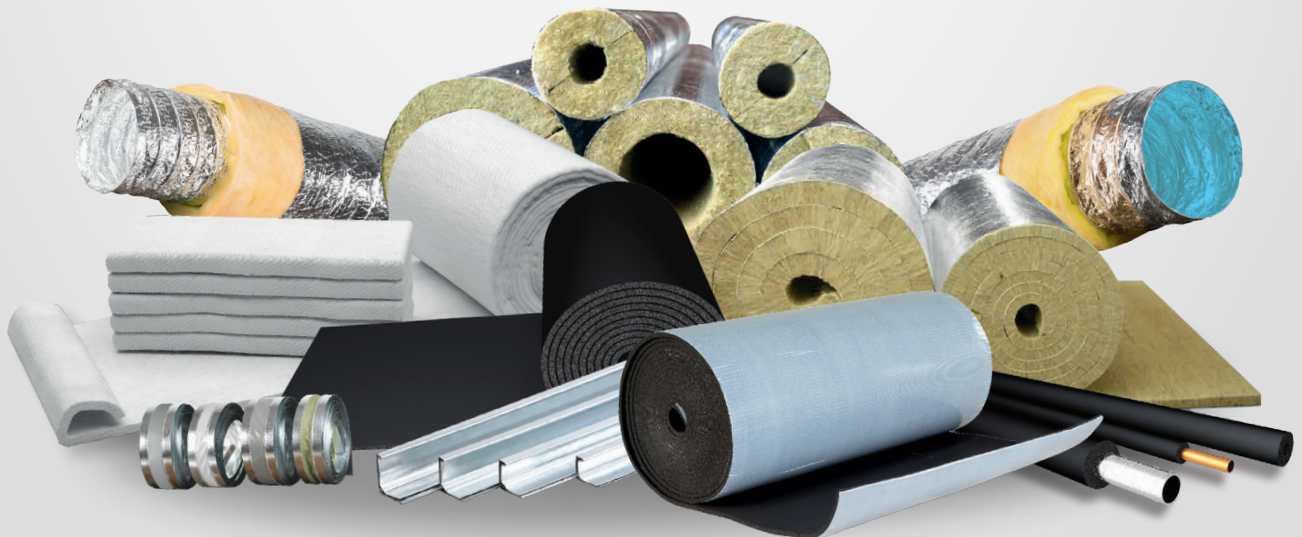
AZURDUCT
Ventilation Accessories

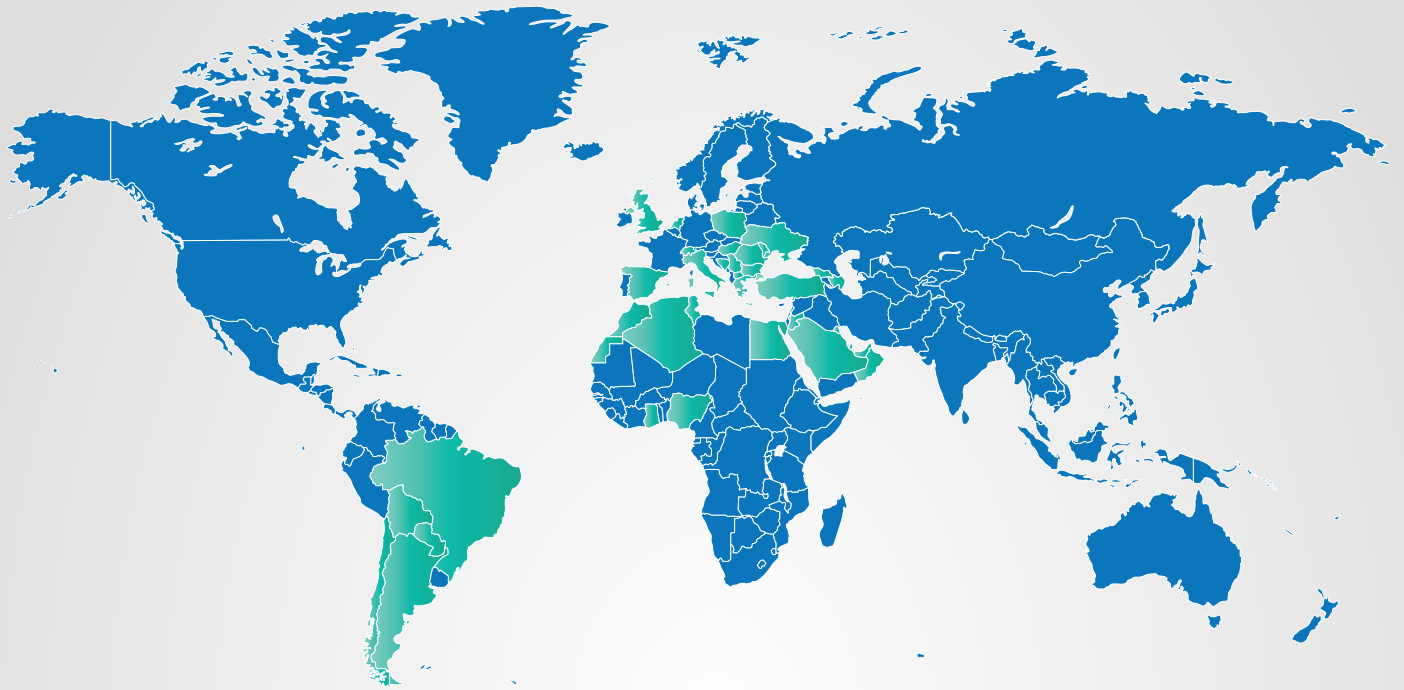




AZUR INSULATION
Smart Supply

40 COUNTRIES
are at the right
address for
TECHNICAL
INSULATION





www.azurinsulation.com



AZUR INSULATION
Smart Supply

Azur Yalıtım Sanayi ve Ticaret Anonim Şirketi

Saray Mahallesi Küçüksu Caddesi No:64/A

Antasya Residence Daire:90 Ümraniye / İstanbul

T: +90 216 629 12 85 F:+90 216 629 12 85

www.azurinsulation.com | info@azurinsulation.com