



TAKE CRAFT
DIGITAL FACTORY

TAKE CRAFT MÜHENDİSLİK
TİC. SAN. LTD. ŞTİ.

COMPANY

PROFILE

Providing solutions, shaping your needs!

www.takecraftengineering.com



TAKE CRAFT
DIGITAL FACTORY

REFERENCES

CareFirst
— DENTAL TEAM —

aselsan



RENAULT
Passion for life

NOVARTIS

roketan

FORD OTOSAN

SIEMENS
Healthineers

TURKISH
AEROSPACE

BMC



Solingen

CASSENS & PLATH

PHILIPS

VEO

ABOUT US

At Take Craft Engineering, we embarked on the journey to become a digital factory. Utilizing technology to its fullest potential, we digitalize our manufacturing processes with the commitment to offer modern, fast, and reliable services to all our clients. Digitalization allows us to minimize production errors, enhance production efficiency, and maintain utmost customer satisfaction

www.takecraftengineering.com



TAKE CRAFT
DIGITAL FACTORY



ABOUT US

A Strong and Growing Network

We collaborate with over 20 subcontractor firms, a number that continues to grow daily. By partnering with companies that excel in superior quality craftsmanship, even without export capabilities, we manufacture competitive products in global markets. Our robust collaboration with subcontractors enhances our production capacity and flexibility, enabling us to provide tailored solutions that meet our customers' needs while optimizing delivery times and capabilities.

www.takecraftengineering.com



TAKE CRAFT
DIGITAL FACTORY



QUALITY

At Take Craft Engineering, we adhere to international production standards. Holding ISO 9001, ISO 14001, ISO 45001, ISO 13485, and other relevant quality certifications, we demonstrate our commitment to high-quality standards and customer-centric approaches. Prioritizing quality in our production processes, we deliver reliable and superior-quality products.





TAKE CRAFT
DIGITAL FACTORY

Services

At Take Craft Engineering, we are proud to offer the services we have developed to meet your unique needs. Our team of experts in design and project analysis ensures that your vision is meticulously planned and implemented.

From creating detailed prototypes to advanced mold production, we handle every stage with precision and care. Our dedicated and fast CNC machining and plastic manufacturing capabilities allow us to provide high quality, customized and fast solutions, while our post-processing services ensure a flawless result. Partner with us at Take Craft Engineering and experience unparalleled expertise and commitment to excellence on every project.

www.takecraftengineering.com

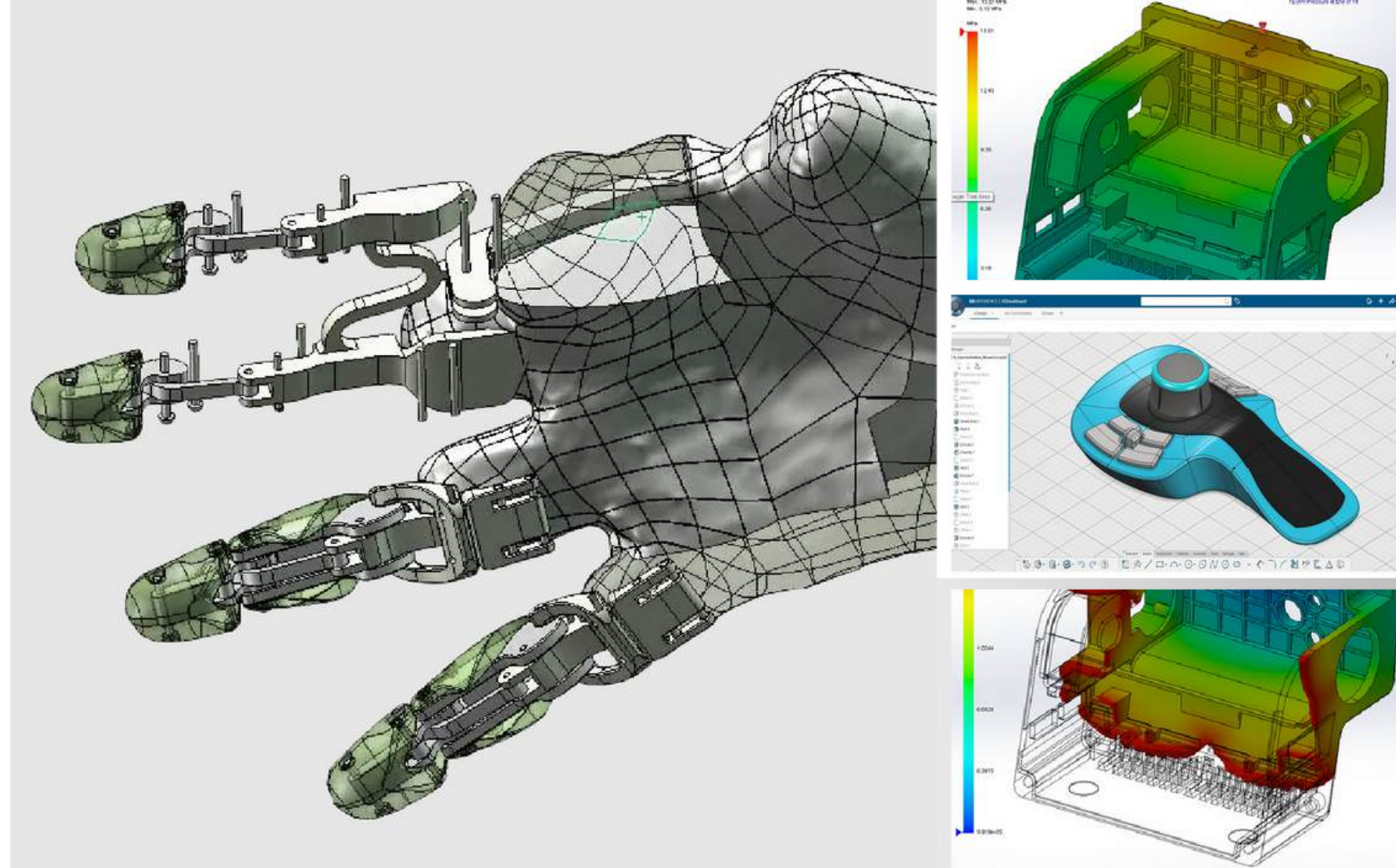


Services

3D DESIGN

At Take Craft Engineering, we provide comprehensive 3D design solutions tailored for various industrial sectors. 3D design plays a critical role in accelerating product development processes and reducing costs by allowing detailed virtual modeling of products. Utilizing advanced Computer-Aided Design (CAD) software and our experienced design team, we deliver customized solutions to meet our clients' needs.

Efficiency and cost calculations begin with design—this is a principle we uphold.





Services

PROJECT PRODUCTION EFFICIENCY ANALYSIS

At Take Craft Engineering, we offer comprehensive analysis and consulting services to enhance efficiency in project management processes for our clients. Project production efficiency analysis provides a strategic approach to examining and improving existing production processes. Through the methodologies we use and our data-driven approaches, we help our clients optimize their workflows.

From design to prototype production, mass production to high-volume manufacturing, and machining to plastic injection molding, we conduct cost-benefit analyses across all processes. This ensures we deliver solutions that enhance your efficiency, reduce costs, and maintain aesthetic quality.





Services

PROTOTYPING

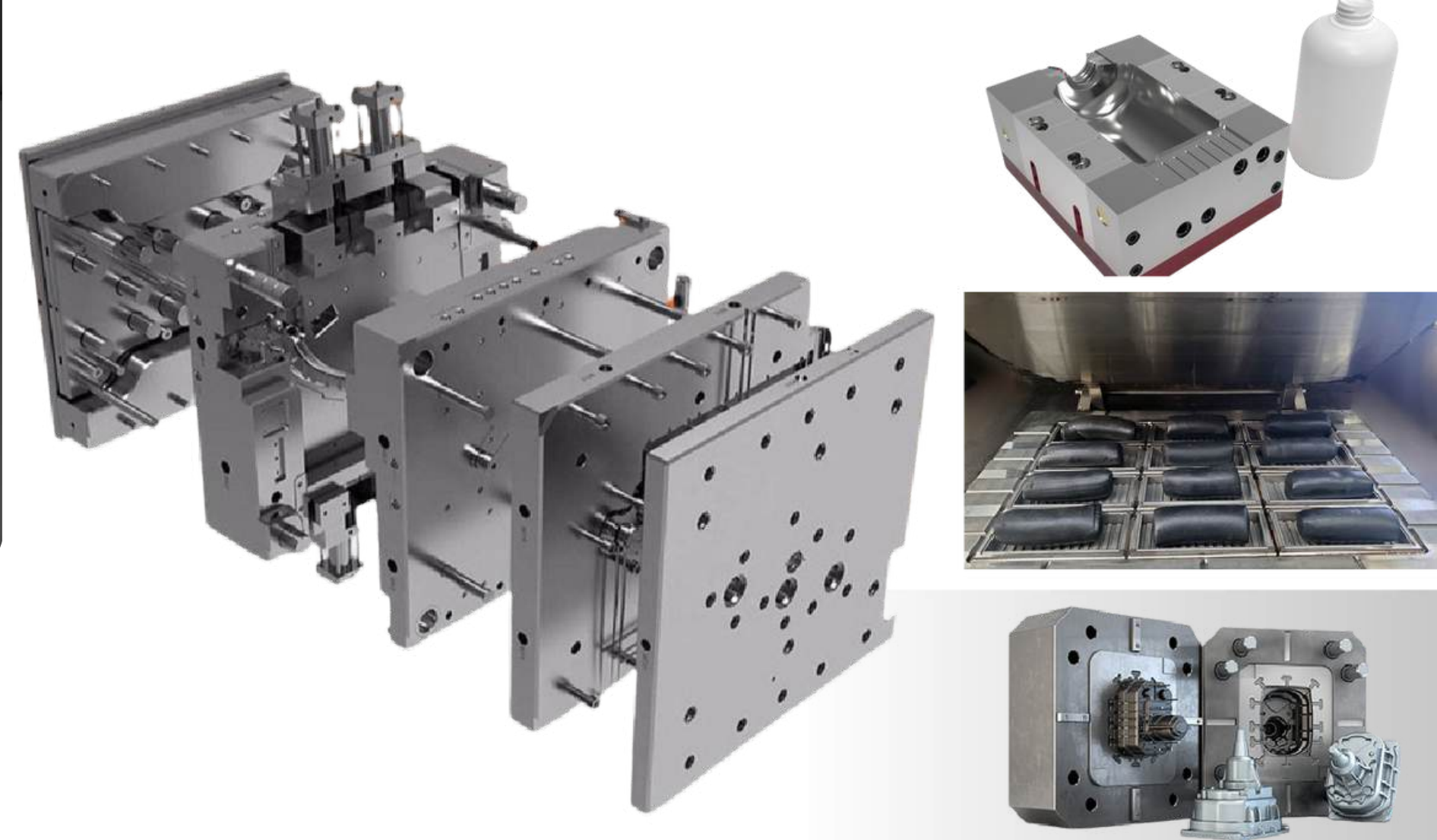
At Take Craft Engineering, our prototyping services are designed to bring your concepts to life with precision and efficiency. Utilizing cutting-edge FDM, SLS, and SLA printing technologies, we deliver high-quality prototypes that accurately represent your vision. Our experienced team ensures that each prototype is meticulously crafted to meet your specifications, allowing for thorough testing and refinement before final production.

Whether you need functional models or highly detailed prototypes, Take Craft Engineering is committed to providing innovative solutions that help you achieve your goals with confidence.





Services



MOLD MANUFACTURING

At Take Craft Engineering, we offer innovative and high-quality mold manufacturing services tailored to our clients' needs. With our extensive production capacity and advanced technology, we provide a variety of mold production services, including plastic injection molds, blow molds, metal injection molds, rubber & silicone molds, sheet metal molds, and plastic extrusion molds.

Each type of mold caters to specific applications and industries, offering a wide range of solutions to our clients.



TAKECRAFT
DIGITAL FACTORY

Services

CNC MACHINING

At Take Craft Engineering, we respond to various industrial needs with our high-precision and high-quality machining services. Machining is a manufacturing method used to shape metal and other materials into desired forms and dimensions. The modern machines and technologies we use in this process elevate the quality and production efficiency of our products to the highest level.

www.takecraftengineering.com





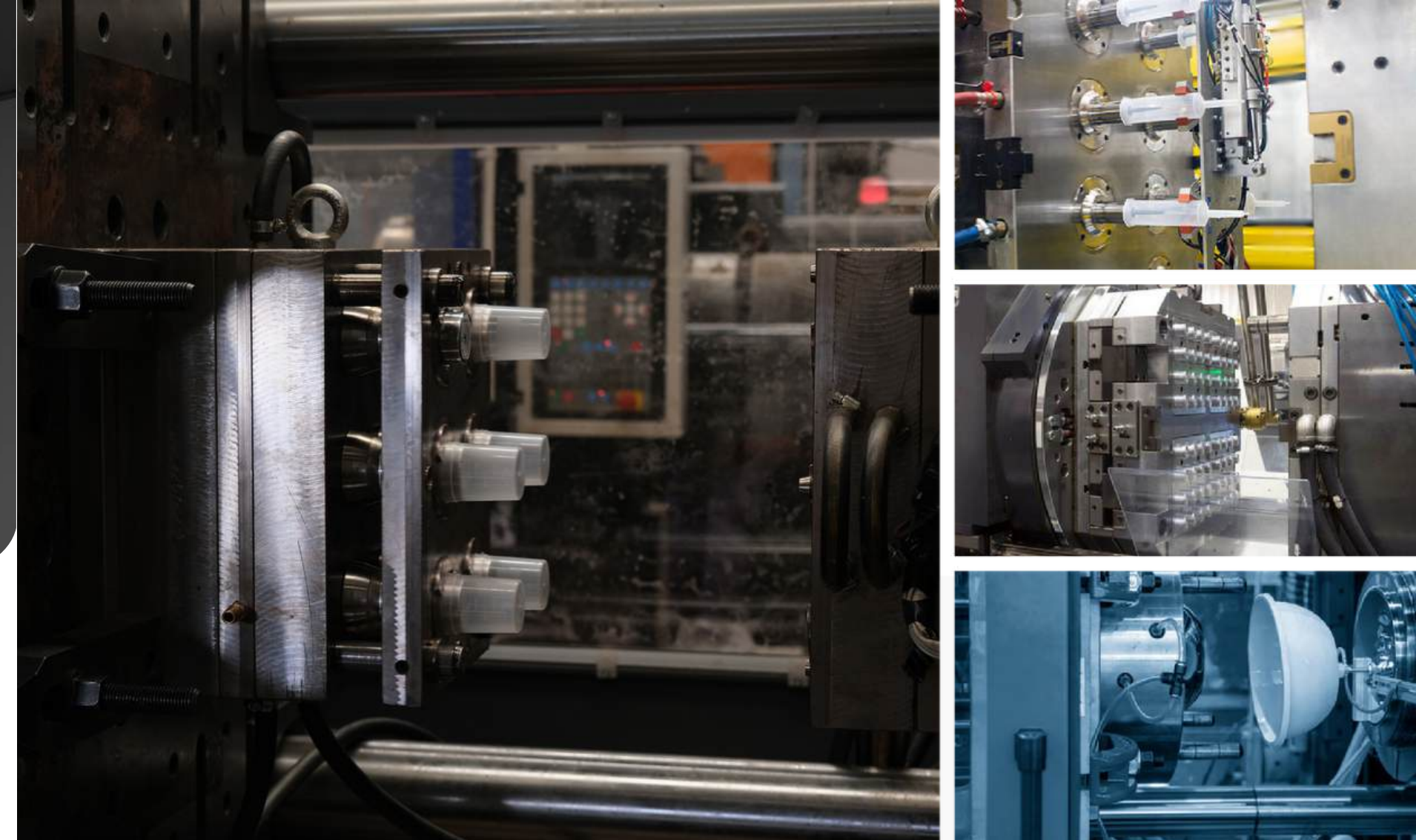
TAKECRAFT
DIGITAL FACTORY

Services

PLASTIC PRODUCTION

At Take Craft Engineering, we offer a wide range of plastic production services with our extensive and advanced technology machinery. Our production processes are equipped with the latest technologies to ensure that all types of plastics are produced with high precision and in accordance with quality standards. We aim to maximize customer satisfaction and production efficiency, offering various plastic production methods to meet diverse needs.

www.takecraftengineering.com



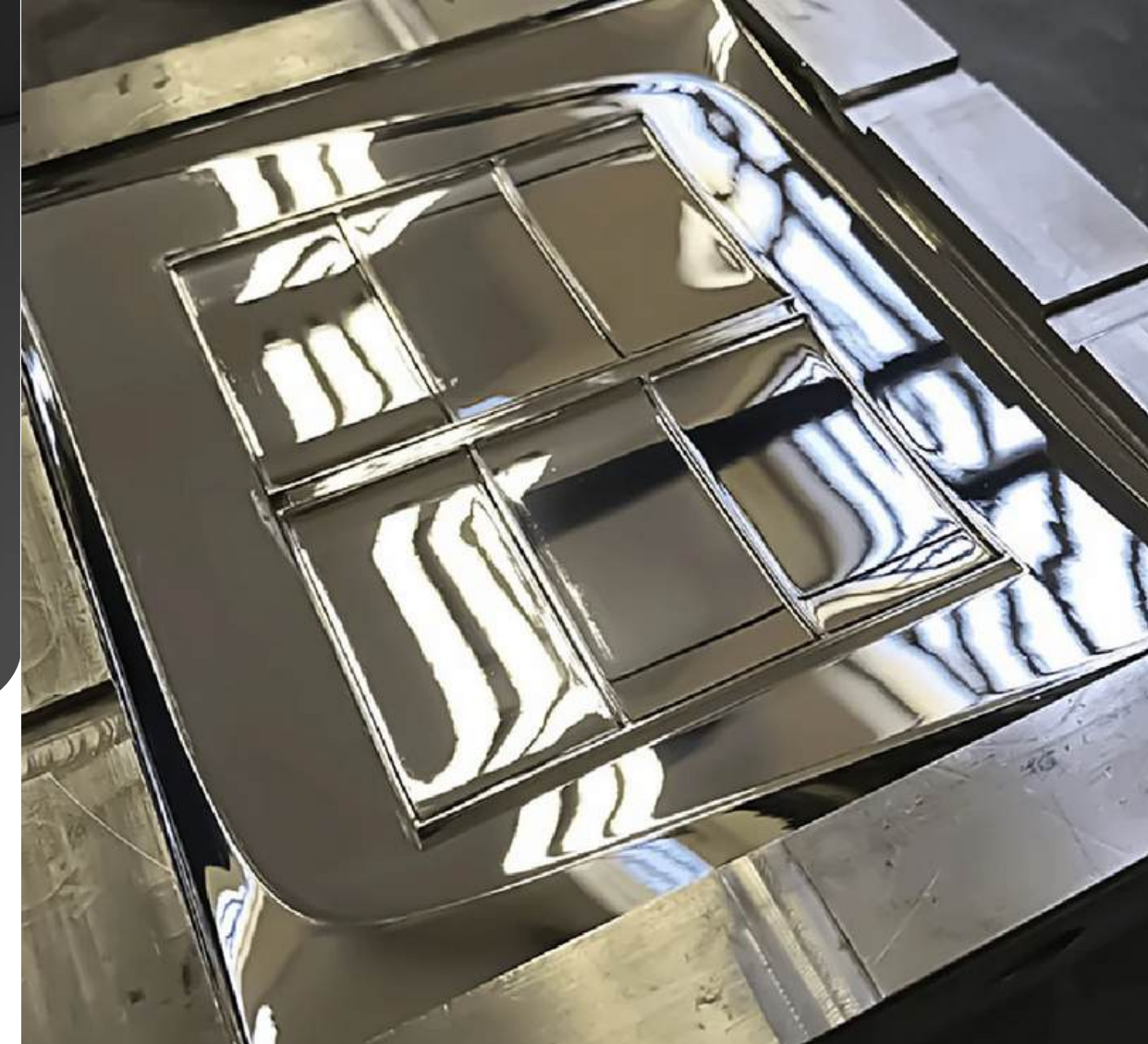


Services

POST PROCESSING

At Take Craft Engineering, our post-processing services are designed to enhance the quality and aesthetics of your products. We offer a wide range of advanced techniques, including coating, polishing, surface texturing, and sandblasting, to ensure your components achieve the perfect finish. Our skilled team is dedicated to delivering exceptional results, improving the durability, appearance, and functionality of your parts. Trust Take Craft Engineering to provide meticulous post-processing solutions that elevate your products to the highest standards of excellence.

www.takecraftengineering.com





TAKE CRAFT
DIGITAL FACTORY

INDUSTRIES

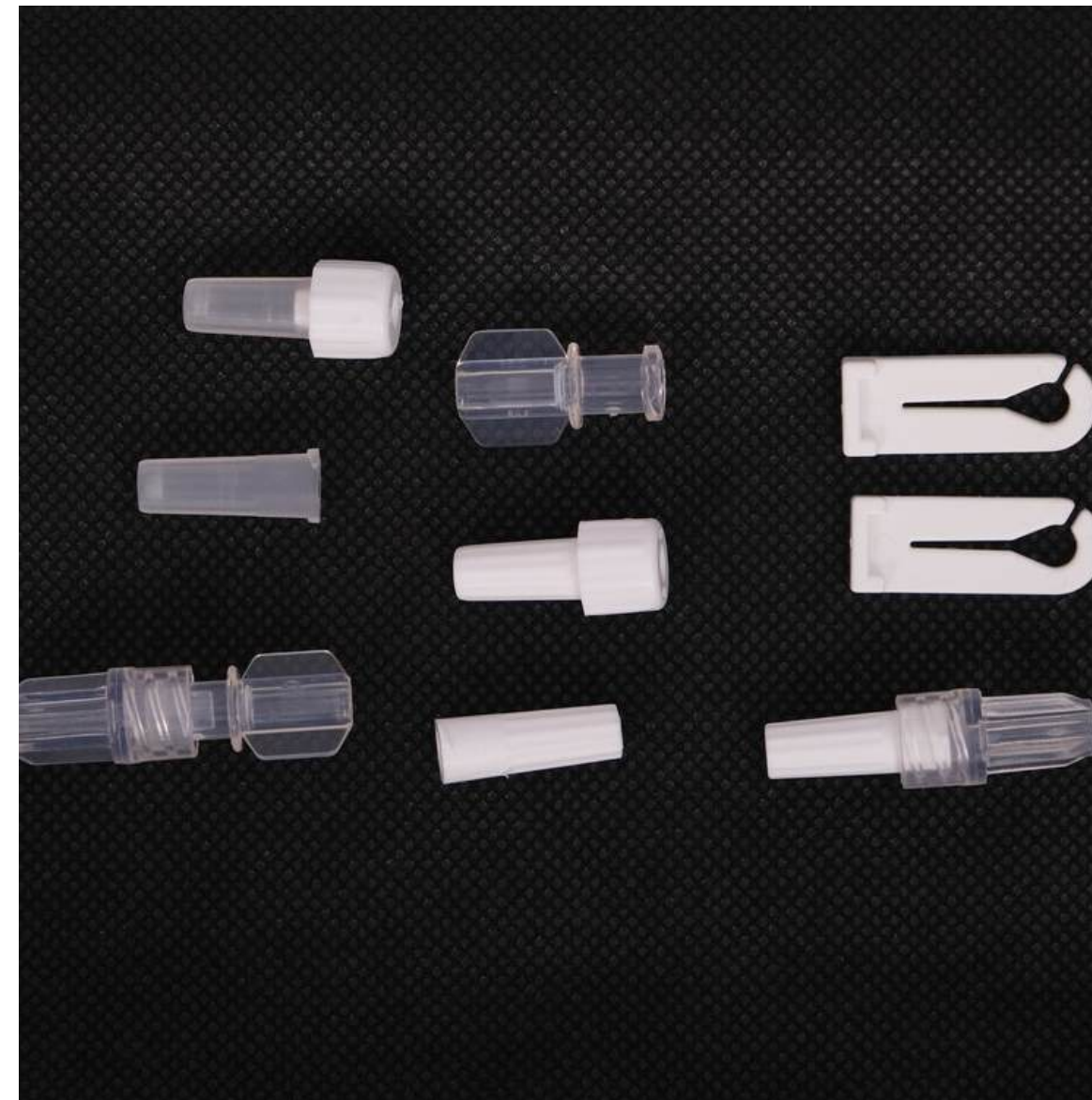




MEDICAL & DENTAL

At Take Craft Engineering Company, we excel in providing precision and innovative solutions for the medical and dental industry. Our comprehensive portfolio of successful special projects underlines our expertise in meeting the most sensitive and demanding requirements of this critical industry.

Our team of highly skilled engineers combines advanced technology with attention to detail, ensuring every project meets the highest standards of safety, quality and reliability. From developing part designs for cutting-edge medical devices to creating advanced dental equipment, we are dedicated to improving healthcare outcomes through our unwavering commitment to excellence. The results we have received have encouraged us to always look forward, allowing us to reference the leading companies in the sector.





ENERGY

At Take Craft Engineering Company, we are committed to driving innovation and delivering sustainable solutions in the energy sector. Our impressive portfolio includes several successful projects that highlight our expertise in producing efficient, sustainable, and cutting-edge energy systems components.

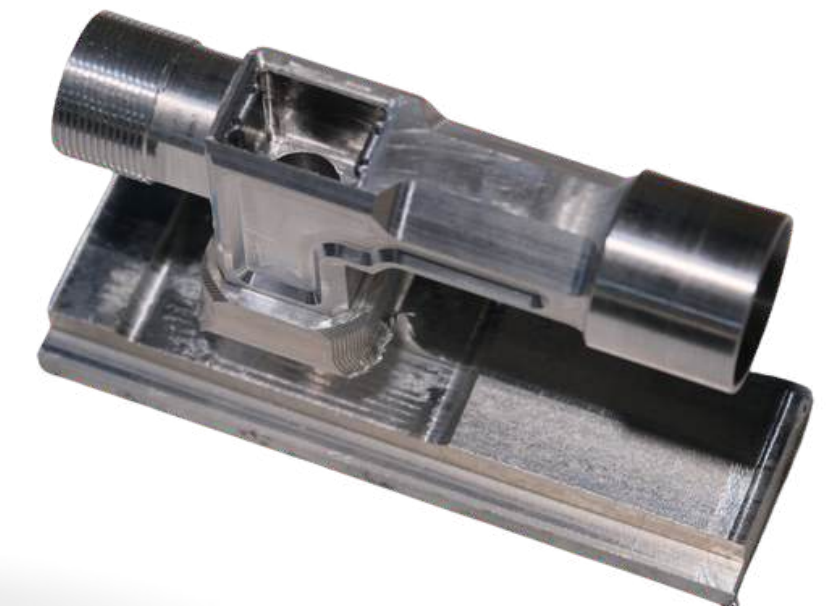
Our team of talented engineers knows the challenges of the industry to create customized solutions that meet our customers' needs in different areas. From renewable energy initiatives to optimizing traditional energy infrastructures, we constantly strive to increase efficiency, reliability, and sustainability.



DEFENSE & MILITARY

As Take Craft Engineering Company, we are proud of our proven track record of quality and innovation in a variety of industries, especially the defense and military sectors. Our comprehensive portfolio includes a wide range of successful projects that demonstrate our ability to deliver high-quality, reliable solutions tailored to our customers' demanding demands.

Our team of expert engineers and our unwavering commitment to excellence enable us to consistently meet and exceed our customers' expectations. Whether it is metal or plastic parts of advanced defense systems or robust military support equipment, Take Craft Engineering stands as a beacon of reliability and expertise, ready to take on the most challenging and complex projects to develop in the defense industry.





ROBOTIC & AUTOMATION

At Take Craft Engineering, we are at the forefront of innovation in the robotics and automation industries, offering advanced engineering solutions tailored to meet your specific needs. Our skilled team excels in the design, prototyping, and manufacturing of high-precision components vital for robotic systems and automation technologies. With state-of-the-art CNC machining, mold manufacturing, and meticulous post-processing, we ensure each part delivers optimal performance and durability.

Partner with Take Craft Engineering to bring your robotic and automation projects to life with unparalleled precision and reliability, driving efficiency and innovation in this dynamic sector





ELECTRONIC

At Take Craft Engineering, we are committed to supporting the electronic industry with our comprehensive engineering solutions. Our expertise encompasses the design, prototyping, and production of high-precision components essential for electronic devices.

Utilizing advanced technologies such as prototyping, and specialized plastic manufacturing, we deliver parts that meet the stringent quality and performance standards required in the electronics sector. Whether you need intricate prototypes or reliable production runs, Take Craft Engineering ensures exceptional results that enhance the functionality and reliability of your electronic products.





AUTOMOTIVE

At Take Craft Engineering, we are dedicated to advancing the automotive industry with our cutting-edge engineering solutions. Our team pretty good in designing, prototyping, and manufacturing components that meet the rigorous demands of the automotive sector.

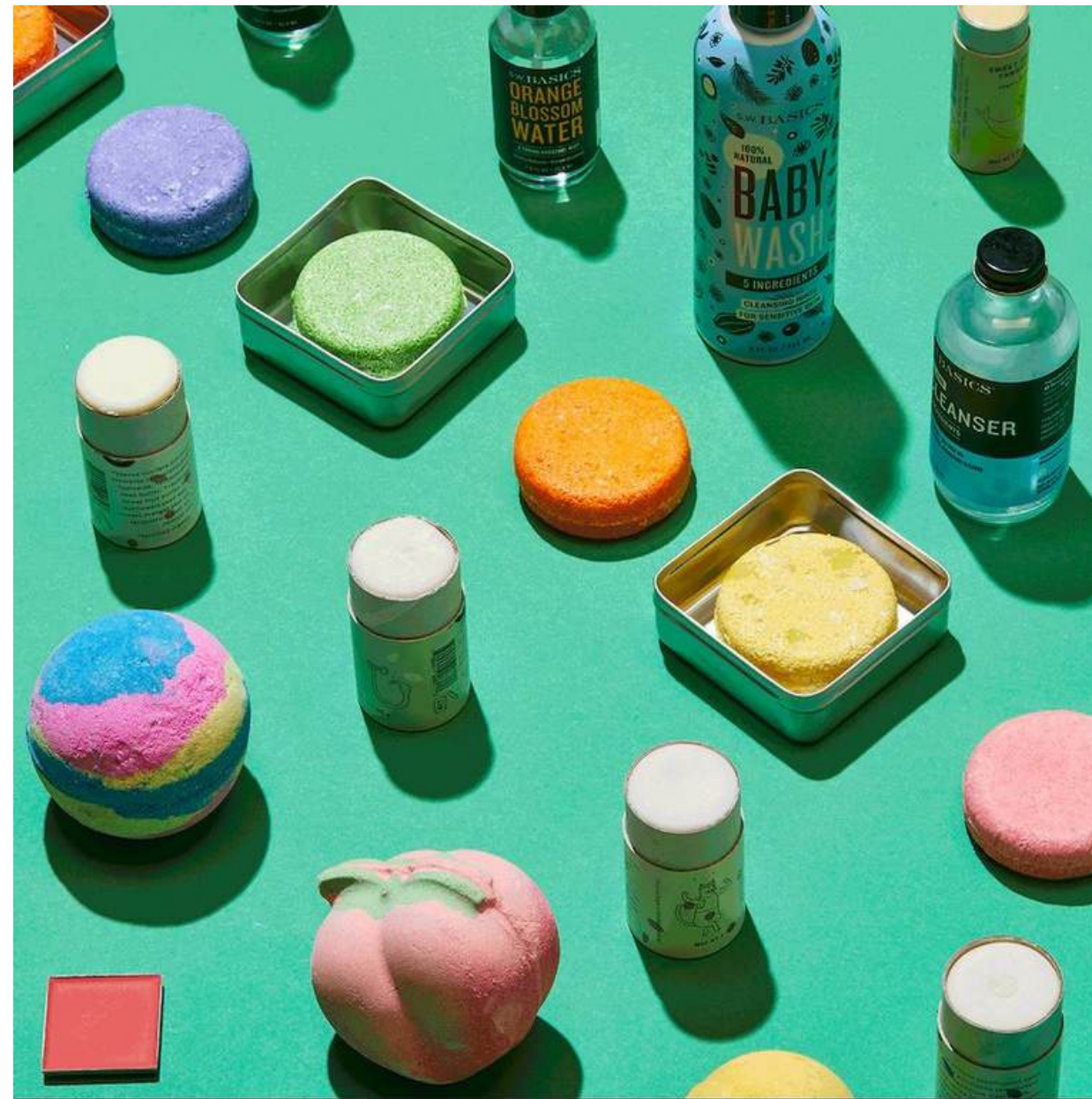
From precision CNC machining to advanced mold manufacturing, we ensure each part is crafted to the highest standards of quality and performance. Whether you need innovative design solutions or reliable production capabilities, Take Craft Engineering is your trusted partner in driving automotive excellence. Experience the precision, durability, and innovation that set our services apart in the competitive automotive market.



COSMETIC

At Take Craft Engineering, we are proud to extend our expertise to the cosmetic industry, delivering innovative and high-quality solutions tailored to your specific needs. Our team producing components that enhance the functionality and appeal of your cosmetic products.

For packaging to advanced CNC machining for intricate parts, we ensure every detail meets the highest standards of quality. With our Craft Engineering is dedicated to helping you create products that stand out in the competitive cosmetic market.



OTHER..

At Take Craft Engineering, we take pride in our diverse portfolio of successful projects across various industries. Our expertise extends to accessories, construction, furniture, food, and many other sectors, demonstrating our versatility and commitment to excellence.

By understanding the unique challenges and requirements of each industry, we deliver tailored solutions that drive innovation and efficiency. Whether it's designing intricate accessories, creating robust construction components, crafting bespoke furniture, or developing food processing tools, Take Craft Engineering is your trusted partner for top-quality engineering solutions.





REFERENCES





CONTACT WITH US



PHONE

+90 312 870 1105



+90 546 145 2190



MAIL

export@takecraftengineering.com



WEBSITE

www.takecraftengineering.com



ADDRESS

Ostim OSB. 100. Yıl Blv. Ostim Prestij İş Merkezi No: 55-A/20
06374 Yenimahalle/Ankara

